

PARTS LIST

CAUTION

- The parts identified by the \triangle symbol are important for the safety. Whenever replacing these parts, be sure to use specified ones to secure the safety .
- The parts not indicated in this Parts List and those which are filled with lines — in the Parts No. columns will not be supplied.
- P. W. Board Ass'y will not be supplied, but those which are filled with the Parts No. in the Parts No. columns will be supplied.

ABBREVIATIONS OF RESISTORS, CAPACITORS AND TOLERANCES

| RESISTORS | | CAPACITORS | |
|-----------|--|-----------------|---|
| C R | Carbon Resistor | C CAP. | Ceramic Capacitor |
| F R | Fusible Resistor | E CAP. | Electrolytic Capacitor |
| P R | Plate Resistor | M CAP. | Mylar Capacitor |
| V R | Variable Resistor | HV CAP. | High Voltage Capacitor |
| HV R | High Voltage Resistor | MF CAP. | Metalized Film Capacitor |
| MF R | Metal Film Resistor | MM CAP. | Metalized Mylar Capacitor |
| MG R | Metal Glazed Resistor | MP CAP. | Metalized Polystyrol Capacitor |
| MP R | Metal Plate Resistor | PP CAP. | Polypropylene Capacitor |
| OM R | Metal Oxide Film Resistor | PS CAP. | Polystyrol Capacitor |
| CMF R | Coating Metal Film Resistor | TF CAP. | Thin Film Capacitor |
| UNF R | Non-Flammable Resistor | MPP CAP. | Metalized Polypropylene Capacitor |
| CH V R | Chip Variable Resistor | TAN. CAP. | Tantalum Capacitor |
| CH MG R | Chip Metal Glazed Resistor | CH C CAP. | Chip Ceramic Capacitor |
| COMP. R | Composition Resistor | BP E CAP. | Bi-Polar Electrolytic Capacitor |
| LPTC R | Linear Positive Temperature Coefficient Resistor | CH AL E CAP. | Chip Aluminum Electrolytic Capacitor |
| | | CH AL BP CAP. | Chip Aluminum Bi-Polar Capacitor |
| | | CH TAN. E CAP. | Chip Tantalum Electrolytic Capacitor |
| | | CH AL BP E CAP. | Chip Tantalum Bi-Polar Electrolytic Capacitor |

| TOLERANCES | | | | | | | | | |
|------------|-----|-----|------|------|------|--------------|--------------|--------------|--------------|
| F | G | J | K | M | N | R | H | Z | P |
| ±1% | ±2% | ±5% | ±10% | ±20% | ±30% | +30% -10% | +50% -10% | +80% -20% | +100% -0% |

CONTENTS

| | |
|--|--------|
| ■ USING PW BOARD & REMOTE CONTROL UNIT | 32 |
| ■ EXPLODED VIEW PARTS LIST | 33, 34 |
| ■ EXPLODED VIEW | 33, 35 |
| ■ PRINTED WIRING BOARD PARTS LIST | |
| AV32L2EUGR / AV32L2EUBL / AV32L2EUGY | |
| ● MAIN PW BOARD ASS'Y | 36 |
| ● POWER & DEF. PW BOARD ASS' Y | 38 |
| ● CRT SOCKET PW BOARD ASS'Y | 40 |
| ● FRONT CONTROL PW BOARD ASS'Y | 41 |
| ● SIDE CONTROL PW BOARD ASS'Y | 41 |
| ● MICON PW BOARD ASS'Y | 42 |
| ● AV SW PW BOARD ASS'Y | 43 |
| ● 100Hz PW BOARD ASS'Y | 44 |
| ■ REMOTE CONTROL UNIT PARTS LIST | 45 |
| ■ PACKING | 46 |
| ■ PACKING PARTS LIST | 46 |

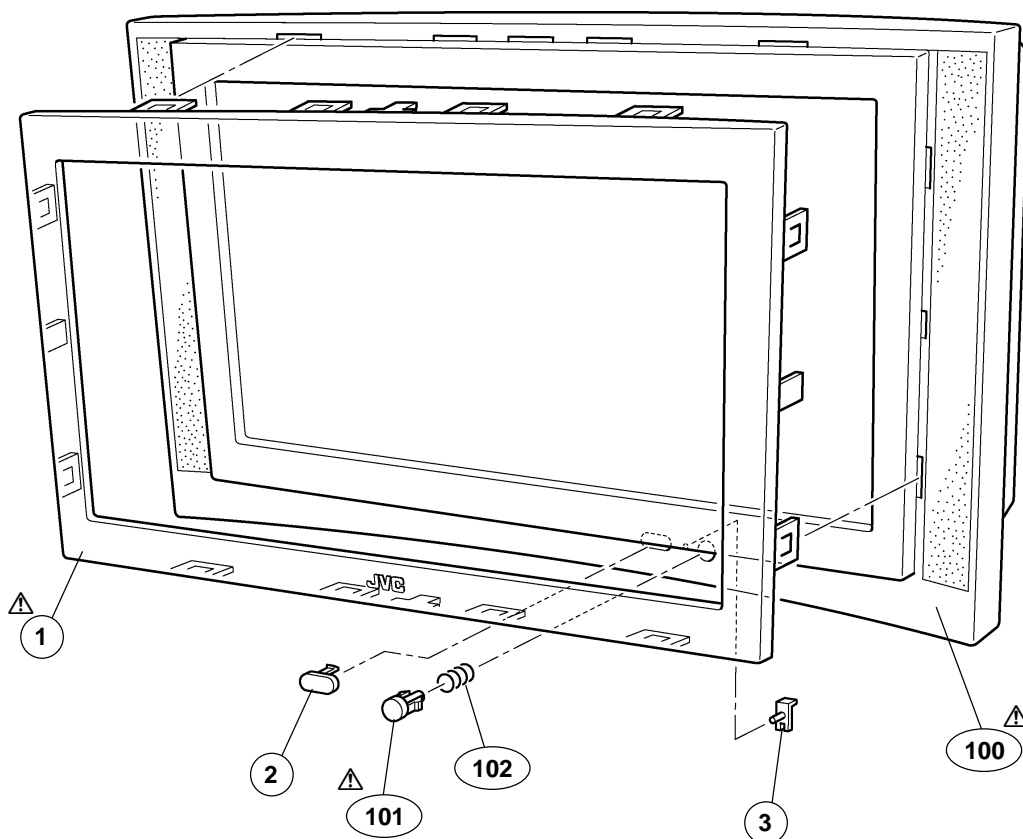
USING PW BOARD & REMOTE CONTROL UNIT

| PWB ASS'Y \ Model | AV32L2EUGR | AV32L2EUBL | AV32L2EUGY |
|---------------------|--------------|--------------|------------|
| | MAIN PWB | SMF-1002A-U2 | ← |
| POWER & DEF. PWB | SMF-2002A-U2 | ← | ← |
| CRT SOCKET PWB | SMF-3001A-U2 | ← | ← |
| FRONT CONTROL PWB | SMF-8001A-U2 | ← | ← |
| SIDE CONTROL PWB | SMF-8101A-U2 | ← | ← |
| MICON PWB | SMF0M001A-U2 | ← | ← |
| AV SW PWB | SMF0S002A-U2 | ← | ← |
| 100Hz PWB | SMF0Z004A-U2 | ← | ← |
| REMOTE CONTROL UNIT | RM-C54-1C | ← | ← |

EXPORTED VIEW PARTS LIST (1)

| △ Ref.No. | Part No. | Part Name | Description |
|---|----------------|----------------|--------------|
| AV32L2EUGR / AV32L2EUBL / AV32L2EUGY | | | |
| △ 1 | LC10851-002B-U | FRONT PANEL | [AV32L2EUGR] |
| △ 1 | LC10851-003A-U | FRONT PANEL | [AV32L2EUBL] |
| △ 1 | LC10851-004A-U | FRONT PANEL | [AV32L2EUGY] |
| 2 | LC31203-001B-C | REMOCON WINDOW | |
| 3 | LC31202-001A-C | L.E.D. LENS | |
| △ 100 | LC10854-001C-U | F CABI ASSY | Inc.101~102 |
| △ 101 | LC31201-002A-U | POWER KNOB | (SERVICE) |
| 102 | AEM3149-001-E | SPRING | |

EXPLODED VIEW (1)

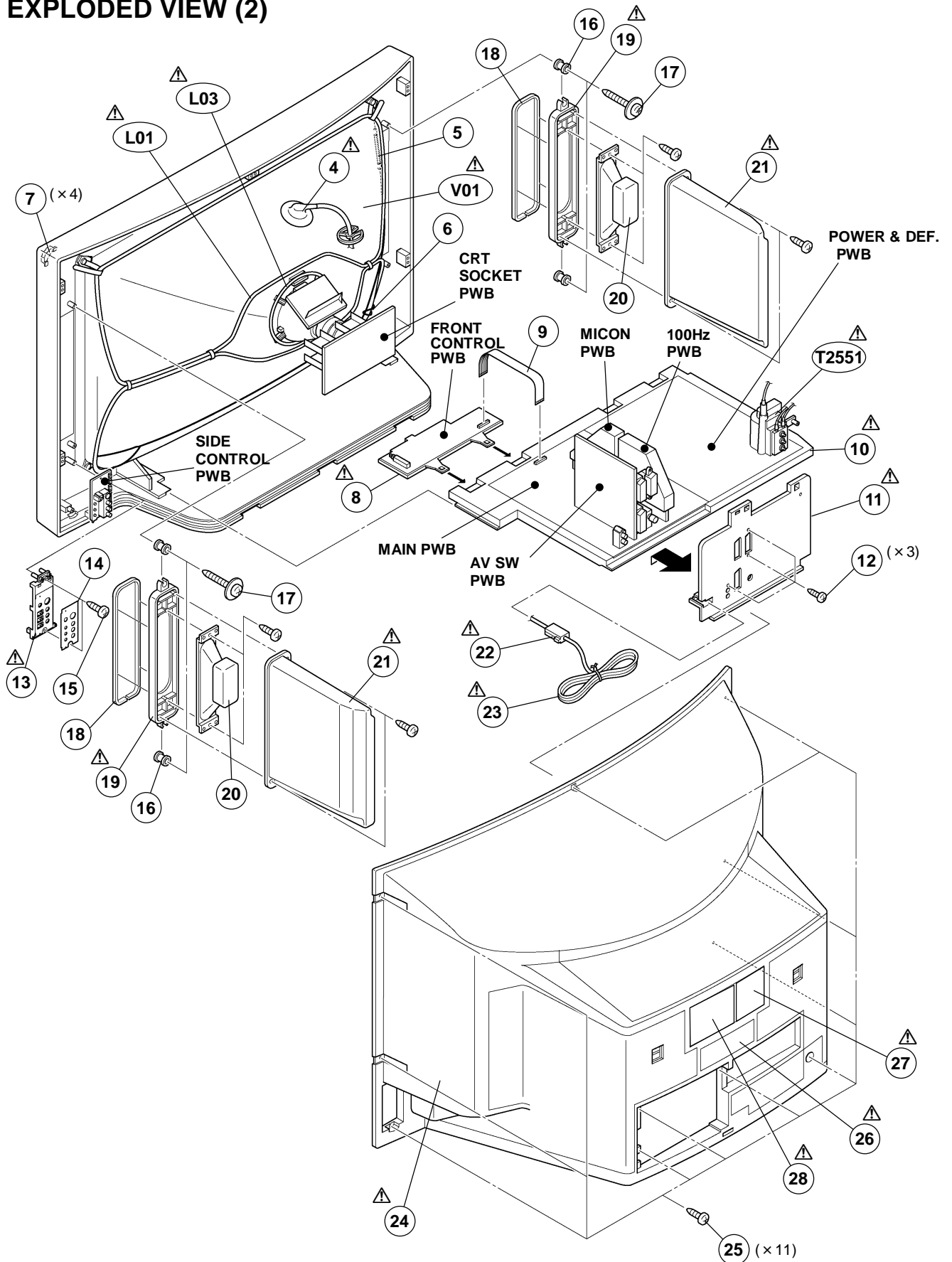


AV32L2EUGR
 AV32L2EUBL
 AV32L2EUGY

EXPLODED VIEW PARTS LIST (2)

| △ Ref.No. | Part No. | Part Name | Description |
|---|----------------|------------------|--------------------------|
| AV32L2EUGR / AV32L2EUBL / AV32L2EUGY | | | |
| △ V01 | W76ERF041X044 | CRT | Inc.DY,PC MAGNET, WEDGE |
| △ L01 | QQW0066-001 | DEG.COIL | |
| △ L03 | CELD904-001 | ROTATION COIL | |
| △ T2551 | QQH0091-002-I2 | FBT | (SERVICE)With ANODE WIRE |
| △ 4 | QNZ0369-001 | ANODE WIRE | |
| 5 | WJY0001-010A | BRAIDED ASSY | |
| 6 | WJY0013-002A | BRAIDED SUB ASSY | |
| 7 | LC20508-001D-U | ADAPTOR | (×4) |
| △ 8 | LC11009-002B-U | CONTROL BASE | |
| 9 | CHFD125-14BD | FFC WIRE | |
| △ 10 | LC10716-002F-U | CHASSIS BASE | |
| △ 11 | LC10717-006B-U | TERMINAL BOARD | |
| 12 | QYSBSB3012M | TAPPING SCREW | (×3)For TERMINAL BOARD |
| △ 13 | LC10856-001C-U | SIDE CONT BASE | |
| 14 | LC31205-002A-U | CONTROL SHEET | |
| 15 | QYSBSAG4016N | TAPPING SCREW | (×1)For SIDE CONT.BASE |
| 16 | AEM4087-001-E | BUSHING | (×4) |
| 17 | LC40506-001A | TAPPING SCREW | (×4) |
| 18 | AEM3029-A07-E | STICK SHEET | (×4) |
| △ 19 | LC11017-001A-U | SPEAKER ADAPTER | (×2) |
| 20 | QAS0072-001 | SPEAKER | (×2)SP01,SP02 |
| △ 21 | LC10858-001B-U | SPEAKER BOX | (×2) |
| △ 22 | CM46618-A01-E | POWER CORD CLAMP | |
| △ 23 | QMPK160-185-JC | POWER CORD | (CN-PW) |
| △ 24 | LC10853-002E-U | REAR COVER | |
| 25 | QYSBSAG4016N | TAPPING SCREW | (×11)For REAR COVER |
| △ 26 | LC20380-011A-U | RATING LABEL | [AV32L2EUGR] |
| △ 26 | LC20380-015A-U | RATING LABEL | [AV32L2EUBL] |
| △ 26 | LC20380-024A-U | RATING LABEL | [AV32L2EUGY] |
| △ 27 | LC20789-002A-U | WARNING LABEL | |
| △ 28 | LC20379-011A-U | RATING LABEL | [AV32L2EUGR] |
| △ 28 | LC20379-015A-U | RATING LABEL | [AV32L2EUBL] |
| △ 28 | LC20379-020A-U | RATING LABEL | [AV32L2EUGY] |

EXPLODED VIEW (2)



AV32L2EUGL / AV32L2EUBL / AV32L2EUGY

PRINTED WIRING BOARD PARTS LIST

■ MAIN P.W. BOARD ASS'Y (SMF-1002A-U2)

| △ Symbol No. | Part No. | Part Name | Description |
|-----------------|--------------|-----------|---------------|
| RESISTOR | | | |
| R1004-05 | NRSA63J-101X | MG R | 100Ω 1/16W J |
| R1008-09 | NRSA63J-0R0X | MG R | 0.0Ω 1/16W J |
| R1101 | NRSA63J-102X | MG R | 1kΩ 1/16W J |
| R1102 | NRSA63J-181X | MG R | 180Ω 1/16W J |
| R1103 | NRSA63J-222X | MG R | 2.2kΩ 1/16W J |
| R1104 | NRSA63J-102X | MG R | 1kΩ 1/16W J |
| R1105 | NRSA63J-331X | MG R | 330Ω 1/16W J |
| R1106 | NRSA63J-270X | MG R | 270Ω 1/16W J |
| R1107 | NRSA63J-271X | MG R | 270Ω 1/16W J |
| R1108 | NRSA63J-102X | MG R | 1kΩ 1/16W J |
| R1109-11 | NRSA63J-101X | MG R | 100Ω 1/16W J |
| R1151 | NRSA63J-101X | MG R | 100Ω 1/16W J |
| R1153 | NRSA63J-101X | MG R | 100Ω 1/16W J |
| R1156 | NRSA63J-0R0X | MG R | 0.0Ω 1/16W J |
| R1158-59 | NRSA63J-0R0X | MG R | 0.0Ω 1/16W J |
| R1161 | NRSA63J-0R0X | MG R | 0.0Ω 1/16W J |
| R1301-02 | NRSA63J-101X | MG R | 100Ω 1/16W J |
| R1303 | NRSA63J-273X | MG R | 27kΩ 1/16W J |
| R1304 | NRSA63J-0R0X | MG R | 0.0Ω 1/16W J |
| R1311 | NRSA63J-331X | MG R | 330Ω 1/16W J |
| R1312 | NRSA63J-273X | MG R | 27kΩ 1/16W J |
| R1313 | NRSA63J-183X | MG R | 18kΩ 1/16W J |
| R1314 | NRSA63J-221X | MG R | 220Ω 1/16W J |
| R1315-17 | NRSA63J-101X | MG R | 100Ω 1/16W J |
| R1318 | NRSA63J-562X | MG R | 5.6kΩ 1/16W J |
| R1319 | NRSA63J-183X | MG R | 18kΩ 1/16W J |
| R1321-22 | NRSA63J-0R0X | MG R | 0.0Ω 1/16W J |
| R1401-02 | NRSA63J-102X | MG R | 1kΩ 1/16W J |
| R1403-04 | NRSA63J-331X | MG R | 330Ω 1/16W J |
| R1405-06 | NRSA63J-102X | MG R | 1kΩ 1/16W J |
| R1451 | NRSA63J-821X | MG R | 820Ω 1/16W J |
| R1454 | NRSA63J-472X | MG R | 4.7kΩ 1/16W J |
| R1455-56 | NRSA63J-123X | MG R | 12kΩ 1/16W J |
| R1457 | NRSA63J-392X | MG R | 3.9kΩ 1/16W J |
| R1458 | NRSA63J-123X | MG R | 12kΩ 1/16W J |
| R1459 | NRSA63J-472X | MG R | 4.7kΩ 1/16W J |
| R1461 | NRSA63J-123X | MG R | 12kΩ 1/16W J |
| R1462 | NRSA63J-153X | MG R | 15kΩ 1/16W J |
| R1463 | NRSA63J-124X | MG R | 120kΩ 1/16W J |
| R1464 | QRE141J-563Y | C R | 56kΩ 1/4W J |
| R1465-66 | NRSA63J-224X | MG R | 220kΩ 1/16W J |
| R1467 | NRSA63J-563X | MG R | 56kΩ 1/16W J |
| R1468 | NRSA63J-224X | MG R | 220kΩ 1/16W J |
| R1469 | NRSA63J-683X | MG R | 68kΩ 1/16W J |
| R1470 | NRSA63J-223X | MG R | 22kΩ 1/16W J |
| R1471 | NRSA63J-273X | MG R | 27kΩ 1/16W J |
| R1472 | NRSA63J-682X | MG R | 6.8kΩ 1/16W J |
| R1473 | NRSA63J-123X | MG R | 12kΩ 1/16W J |
| R1474 | NRSA63J-563X | MG R | 56kΩ 1/16W J |
| R1475 | NRSA63J-153X | MG R | 15kΩ 1/16W J |
| R1476-78 | NRSA63J-123X | MG R | 12kΩ 1/16W J |
| R1479 | NRSA63J-154X | MG R | 150kΩ 1/16W J |
| R1480 | NRSA63J-823X | MG R | 82kΩ 1/16W J |
| R1481 | NRSA63J-472X | MG R | 4.7kΩ 1/16W J |
| R1482 | NRSA63J-272X | MG R | 2.7kΩ 1/16W J |
| R1483 | NRSA63J-472X | MG R | 4.7kΩ 1/16W J |
| R1484 | NRSA63J-473X | MG R | 47kΩ 1/16W J |
| R1485 | NRSA63J-123X | MG R | 12kΩ 1/16W J |
| R1486 | NRSA63J-472X | MG R | 4.7kΩ 1/16W J |
| R1487 | NRSA63J-333X | MG R | 33kΩ 1/16W J |
| R1489 | NRSA63J-333X | MG R | 33kΩ 1/16W J |
| R1491 | NRSA63J-332X | MG R | 3.3kΩ 1/16W J |
| R1492 | NRSA63J-562X | MG R | 5.6kΩ 1/16W J |
| R1501 | NRSA63J-0R0X | MG R | 0.0Ω 1/16W J |
| R1504 | NRSA63J-102X | MG R | 1kΩ 1/16W J |
| R1511 | NRSA63J-152X | MG R | 1.5kΩ 1/16W J |

| △ Symbol No. | Part No. | Part Name | Description |
|-----------------|--------------|-----------|---------------|
| RESISTOR | | | |
| R1512 | NRSA63J-332X | MG R | 3.3kΩ 1/16W J |
| R1521 | NRSA63J-223X | MG R | 22kΩ 1/16W J |
| R1522 | NRSA63J-562X | MG R | 5.6kΩ 1/16W J |
| R1551 | NRSA63J-100X | MG R | 10Ω 1/16W J |
| R1552 | NRSA63J-124X | MG R | 120kΩ 1/16W J |
| R1553 | NRSA63J-683X | MG R | 68kΩ 1/16W J |
| R1554 | NRSA63J-562X | MG R | 5.6kΩ 1/16W J |
| R1555 | NRSA63J-333X | MG R | 33kΩ 1/16W J |
| R1556 | NRSA63J-472X | MG R | 4.7kΩ 1/16W J |
| R1557 | NRSA63J-562X | MG R | 5.6kΩ 1/16W J |
| R1558 | NRSA63J-104X | MG R | 100kΩ 1/16W J |
| R1559 | NRSA63J-154X | MG R | 150kΩ 1/16W J |
| R1560 | NRSA63J-100X | MG R | 10Ω 1/16W J |
| R1561 | QRN143J-0R0X | C R | 0.0Ω 1/4W J |
| R1562 | NRSA63J-683X | MG R | 68kΩ 1/16W J |
| R1563 | NRSA63J-103X | MG R | 10kΩ 1/16W J |
| R1564 | NRSA63J-223X | MG R | 22kΩ 1/16W J |
| R1565 | NRSA63J-562X | MG R | 5.6kΩ 1/16W J |
| R1591 | NRSA63J-561X | MG R | 560Ω 1/16W J |
| R1592 | NRSA63J-332X | MG R | 3.3kΩ 1/16W J |
| R1601 | NRSA63J-273X | MG R | 27kΩ 1/16W J |
| R1602 | NRSA63J-103X | MG R | 10kΩ 1/16W J |
| R1603 | NRSA63J-273X | MG R | 27kΩ 1/16W J |
| R1604 | NRSA63J-103X | MG R | 10kΩ 1/16W J |
| R1605 | NRSA63J-473X | MG R | 47kΩ 1/16W J |
| R1606 | NRSA63J-273X | MG R | 27kΩ 1/16W J |
| R1609 | NRSA63J-104X | MG R | 100kΩ 1/16W J |
| R1610 | NRSA63J-682X | MG R | 6.8kΩ 1/16W J |
| R1618 | NRSA63J-333X | MG R | 33kΩ 1/16W J |
| R1619 | NRSA63J-104X | MG R | 100kΩ 1/16W J |
| R1620 | NRSA63J-562X | MG R | 5.6kΩ 1/16W J |
| R1637 | QRK126J-2R2X | C R | 2.2Ω 1/2W J |
| R1639 | NRSA63J-561X | MG R | 560Ω 1/16W J |
| R1642-43 | NRSA63J-681X | MG R | 680Ω 1/16W J |
| R1644 | NRSA63J-104X | MG R | 100kΩ 1/16W J |
| R1645-46 | NRSA63J-0R0X | MG R | 0.0Ω 1/16W J |
| R1649 | QRK126J-2R2X | C R | 2.2Ω 1/2W J |
| R1650-51 | NRSA63J-103X | MG R | 10kΩ 1/16W J |
| R1656 | NRSA63J-683X | MG R | 68kΩ 1/16W J |
| R1657 | NRSA63J-333X | MG R | 33kΩ 1/16W J |
| R1658 | NRSA63J-683X | MG R | 68kΩ 1/16W J |
| R1659 | NRSA63J-393X | MG R | 39kΩ 1/16W J |
| R1664-65 | NRSA63J-103X | MG R | 10kΩ 1/16W J |
| R1666 | NRSA63J-473X | MG R | 47kΩ 1/16W J |
| R1667 | NRSA63J-183X | MG R | 18kΩ 1/16W J |
| R1668 | NRSA63J-473X | MG R | 47kΩ 1/16W J |
| R1669 | NRSA63J-183X | MG R | 18kΩ 1/16W J |
| R1670-71 | NRSA63J-104X | MG R | 100kΩ 1/16W J |
| R1672 | NRSA63J-223X | MG R | 22kΩ 1/16W J |
| R1673 | NRSA63J-273X | MG R | 27kΩ 1/16W J |
| R1675 | NRSA63J-103X | MG R | 10kΩ 1/16W J |
| R1677-78 | NRSA63J-103X | MG R | 10kΩ 1/16W J |
| R1679 | NRSA63J-223X | MG R | 22kΩ 1/16W J |
| R1680 | NRSA63J-273X | MG R | 27kΩ 1/16W J |
| R1682 | NRSA63J-273X | MG R | 27kΩ 1/16W J |
| R1683 | NRSA63J-103X | MG R | 10kΩ 1/16W J |
| R1684-85 | NRSA63J-393X | MG R | 39kΩ 1/16W J |
| R1686 | NRSA63J-683X | MG R | 68kΩ 1/16W J |
| R1687 | NRSA63J-393X | MG R | 39kΩ 1/16W J |
| R1688 | NRSA63J-273X | MG R | 27kΩ 1/16W J |
| R1689 | NRSA63J-103X | MG R | 10kΩ 1/16W J |
| R1693 | NRSA63J-683X | MG R | 68kΩ 1/16W J |
| R1694 | NRSA63J-333X | MG R | 33kΩ 1/16W J |
| R1695-96 | NRSA63J-273X | MG R | 27kΩ 1/16W J |
| R1701-02 | NRSA63J-103X | MG R | 10kΩ 1/16W J |
| R1703-04 | NRSA63J-102X | MG R | 1kΩ 1/16W J |

| △ Symbol No. | Part No. | Part Name | Description |
|-----------------|--------------|-----------|--------------|
| RESISTOR | | | |
| R1705-08 | NRSA63J-103X | MG R | 10kΩ 1/16W J |
| R1711-12 | NRSA63J-101X | MG R | 100Ω 1/16W J |
| R1714-15 | NRSA63J-102X | MG R | 1kΩ 1/16W J |
| R1716-17 | NRSA63J-0ROX | MG R | 0.0Ω 1/16W J |
| R1720-22 | NRSA63J-102X | MG R | 1kΩ 1/16W J |
| R1772-76 | NRSA63J-221X | MG R | 220Ω 1/16W J |
| R1951 | QRK126J-220X | C R | 22Ω 1/2W J |

| △ Symbol No. | Part No. | Part Name | Description |
|------------------|--------------|-----------|---------------|
| CAPACITOR | | | |
| C1001 | NCB31HK-222X | CHIP CAP. | 2200pF 50V K |
| C1002 | QETN1HM-106Z | E CAP. | 10μF 50V M |
| C1004 | NCB31CK-104X | CHIP CAP. | 0.1μF 16V K |
| C1005 | QETN1CM-108Z | E CAP. | 1000μF 16V M |
| C1006 | NCB31HK-103X | C CAP. | 0.01μF 50V K |
| C1007 | QETN1HM-106Z | E CAP. | 10μF 50V M |
| C1009 | NCB31CK-104X | CHIP CAP. | 0.1μF 16V K |
| C1010 | QETN1HM-106Z | E CAP. | 10μF 50V M |
| C1101 | NCB31CK-104X | CHIP CAP. | 0.1μF 16V K |
| C1102 | QETN1HM-106Z | E CAP. | 10μF 50V M |
| C1103 | NCB31CK-104X | CHIP CAP. | 0.1μF 16V K |
| C1104 | QETN1CM-107Z | E CAP. | 100μF 16V M |
| C1105 | QETN1HM-106Z | E CAP. | 10μF 50V M |
| C1106-07 | NCB31CK-104X | CHIP CAP. | 0.1μF 16V K |
| C1108 | NDC31HJ-680X | C CAP. | 680pF 50V J |
| C1111 | NDC31HJ-821X | C CAP. | 820pF 50V J |
| C1112-13 | NDC31HJ-470X | C CAP. | 47pF 50V J |
| C1114 | NDC31HJ-180X | C CAP. | 18pF 50V J |
| C1115-16 | NCB31HK-472X | C CAP. | 4700pF 50V K |
| C1117-18 | NCB31HK-103X | C CAP. | 0.01μF 50V K |
| C1119-20 | NDC31HJ-2R0X | C CAP. | 2.0pF 50V J |
| C1121 | NCB31HK-103X | C CAP. | 0.01μF 50V K |
| C1122-23 | NDC31HJ-102X | C CAP. | 1000pF 50V J |
| C1124-25 | QETN1HM-106Z | E CAP. | 10μF 50V M |
| C1126 | NCB31CK-104X | CHIP CAP. | 0.1μF 16V K |
| C1127 | QETN1HM-106Z | E CAP. | 10μF 50V M |
| C1128 | NCB31CK-104X | CHIP CAP. | 0.1μF 16V K |
| C1129 | NCF31AZ-105X | C CAP. | 1μF 10V Z |
| C1130 | QETN1HM-106Z | E CAP. | 10μF 50V M |
| C1151-54 | NCF31AZ-105X | C CAP. | 1μF 10V Z |
| C1155-56 | NDC31HJ-102X | C CAP. | 1000pF 50V J |
| C1301 | QETN1CM-107Z | E CAP. | 100μF 16V M |
| C1302-03 | NCB31CK-104X | CHIP CAP. | 0.1μF 16V K |
| C1305-09 | NCB31CK-104X | CHIP CAP. | 0.1μF 16V K |
| C1310 | QETN1AM-228Z | E CAP. | 2200μF 10V M |
| C1311 | NCB31CK-683X | CHIP CAP. | 0.068μF 16V K |
| C1312 | NDC31HJ-221X | C CAP. | 220pF 50V J |
| C1313-15 | NCB31HK-223X | CHIP CAP. | 0.022μF 50V K |
| C1316-18 | NCB31HK-103X | C CAP. | 0.01μF 50V K |
| C1320 | QETN0JM-228Z | E CAP. | 2200μF 6.3V M |
| C1321-23 | NCB31HK-223X | CHIP CAP. | 0.022μF 50V K |
| C1324 | NDC31HJ-820X | C CAP. | 82pF 50V J |
| C1351 | QENC1EM-106Z | BP E CAP. | 10μF 25V M |
| C1401 | NCB31CK-104X | CHIP CAP. | 0.1μF 16V K |
| C1402 | QETN1CM-107Z | E CAP. | 100μF 16V M |
| C1403-04 | NCB31CK-104X | CHIP CAP. | 0.1μF 16V K |
| C1453 | NCB31HK-103X | C CAP. | 0.01μF 50V K |
| C1454 | NCB31EK-333X | CHIP CAP. | 0.033μF 25V K |
| C1455-56 | NCB31CK-104X | CHIP CAP. | 0.1μF 16V K |
| C1457 | NCB31EK-333X | CHIP CAP. | 0.033μF 25V K |
| C1458 | QFV71HJ-104Z | MF CAP. | 0.1μF 50V J |
| C1471 | NCB31CK-104X | CHIP CAP. | 0.1μF 16V K |
| C1472 | NCB31HK-103X | C CAP. | 0.01μF 50V K |
| C1473 | NCB31CK-104X | CHIP CAP. | 0.1μF 16V K |
| C1474 | NCB31EK-333X | CHIP CAP. | 0.033μF 25V K |
| C1475 | NCB31CK-104X | CHIP CAP. | 0.1μF 16V K |
| C1491 | NCB31EK-473X | CHIP CAP. | 0.047μF 25V K |
| C1501-02 | NDC31HJ-150X | C CAP. | 15pF 50V J |
| C1521 | NCB31HK-103X | C CAP. | 0.01μF 50V K |
| C1551-52 | NCF31CZ-224X | C CAP. | 0.22μF 16V Z |
| C1553 | QETN1EM-476Z | E CAP. | 47μF 25V M |
| C1554-55 | NCF31CZ-224X | C CAP. | 0.22μF 16V Z |

| △ Symbol No. | Part No. | Part Name | Description |
|------------------|--------------|-----------|-------------|
| CAPACITOR | | | |
| C1560 | QETN1CM-107Z | E CAP. | 100μF 16V M |
| C1561 | NDC31HJ-561X | C CAP. | 560pF 50V J |
| C1562 | QETN1HM-105Z | E CAP. | 1μF 50V M |
| C1564 | QFV71HJ-104Z | MF CAP. | 0.1μF 50V J |
| C1591 | NDC31HJ-471X | C CAP. | 470pF 50V J |
| C1606-07 | QETN1CM-227Z | E CAP. | 220μF 16V M |
| C1616 | QETN1HM-105Z | E CAP. | 1μF 50V M |
| C1618 | QETN1HM-105Z | E CAP. | 1μF 50V M |

| | | | |
|----------|--------------|-----------|---------------|
| C1628 | QETN1HM-107Z | E CAP. | 100μF 50V M |
| C1629 | QETN1HM-106Z | E CAP. | 10μF 50V M |
| C1630 | NCF21HZ-224X | C CAP. | 0.22μF 50V Z |
| C1632 | NCF21HZ-224X | C CAP. | 0.22μF 50V Z |
| C1634 | QETN1HM-228 | E CAP. | 2200μF 50V M |
| C1641-42 | NCF21HZ-224X | C CAP. | 0.22μF 50V Z |
| C1646-47 | NCB31HK-103X | C CAP. | 0.01μF 50V K |
| C1648-49 | QETN1VM-108 | E CAP. | 1000μF 35V M |
| C1657 | NCB31HK-103X | C CAP. | 0.01μF 50V K |
| C1658 | NDC31HJ-100X | C CAP. | 10pF 50V J |
| C1673-74 | NCF31AZ-105X | C CAP. | 1μF 10V Z |
| C1675 | QETN1EM-476Z | E CAP. | 47μF 25V M |
| C1676-77 | NDC31HJ-151X | C CAP. | 150pF 50V J |
| C1678-79 | NDC31HJ-150X | C CAP. | 15pF 50V J |
| C1680 | NCF31AZ-105X | C CAP. | 1μF 10V Z |
| C1681 | NCB31HK-332X | CHIP CAP. | 3300pF 50V K |
| C1682 | NCB31EK-333X | CHIP CAP. | 0.033μF 25V K |
| C1683 | QETN1EM-476Z | E CAP. | 47μF 25V M |
| C1684 | NCB31HK-332X | CHIP CAP. | 3300pF 50V K |
| C1685 | NCB31EK-333X | CHIP CAP. | 0.033μF 25V K |
| C1686 | NCF31AZ-105X | C CAP. | 1μF 10V Z |
| C1687 | QETN1HM-106Z | E CAP. | 10μF 50V M |
| C1688 | QETN1EM-476Z | E CAP. | 47μF 25V M |
| C1689 | NCB31CK-104X | CHIP CAP. | 0.1μF 16V K |
| C1691 | NCB31EK-393X | CHIP CAP. | 0.039μF 25V K |
| C1692 | NDC31HJ-100X | C CAP. | 10pF 50V J |
| C1693-94 | QETN1EM-476Z | E CAP. | 47μF 25V M |
| C1695 | NCF31AZ-105X | C CAP. | 1μF 10V Z |
| C1696 | NCB31EK-393X | CHIP CAP. | 0.039μF 25V K |
| C1697 | NCB31HK-103X | C CAP. | 0.01μF 50V K |
| C1698 | NCF31AZ-105X | C CAP. | 1μF 10V Z |
| C1699 | NCB31HK-103X | C CAP. | 0.01μF 50V K |
| C1701 | QETN1HM-106Z | E CAP. | 10μF 50V M |
| C1702 | NCB31CK-563X | CHIP CAP. | 0.056μF 16V K |
| C1951 | QETN1CM-477Z | E CAP. | 470μF 16V M |
| C1952-53 | NCB31CK-104X | CHIP CAP. | 0.1μF 16V K |
| C1954 | QETN1AM-477Z | E CAP. | 470μF 10V M |
| C1955 | QETN1AM-227Z | E CAP. | 220μF 10V M |
| C1956 | QETN1AM-107Z | E CAP. | 100μF 10V M |

| △ Symbol No. | Part No. | Part Name | Description |
|--------------|--------------|---------------|-------------|
| COIL | | | |
| L1001 | QQL244K-270Z | PEAKING COIL | |
| L1002-03 | QQL244K-100Z | COIL | 10μH K |
| L1004 | NQLO92K-100X | INDUCTOR | |
| L1101 | QRN143J-0ROX | C R | 0.0Ω 1/4W J |
| L1102 | QQL244K-4R7Z | COIL | 4.7μH K |
| L1111 | QQL244K-220Z | PEAKING COIL | |
| L1112 | QQL244K-180Z | COIL | 18μH K |
| L1301-02 | NQLO92K-1R5X | CHIP INDUCTOR | |
| L1951 | QQL26AM-5R6Z | CHOKE COIL | |

| △ Symbol No. | Part No. | Part Name | Description |
|--------------|-------------|-------------|-------------|
| DIODE | | | |
| D1317-18 | MA111-X | SI DIODE | |
| D1471-74 | MA111-X | SI DIODE | |
| D1521 | MA111-X | SI DIODE | |
| D1591 | MA111-X | SI DIODE | |
| D1592 | MA3051/M/-X | ZENER DIODE | |
| D1602 | MA111-X | SI DIODE | |
| D1610-11 | MA111-X | SI DIODE | |
| D1614-15 | MA111-X | SI DIODE | |
| D1617 | MA111-X | SI DIODE | |
| D1619-20 | MA3330/L/-X | ZENER DIODE | |

AV32L2EUGR
AV32L2EUBL
AV32L2EUGY

| Symbol No. | Part No. | Part Name | Description |
|-------------------|-----------------|------------------|-------------|
| DIODE | | | |
| D1771-74 | MA3056/M/-X | ZENER DIODE | |
| D1951 | 15R35-400A-T5 | SI .DIODE | |
| D1981-82 | MA111-X | SI .DIODE | |
| TRANSISTOR | | | |
| Q1101-02 | 25C2412K/QR/-X | SI .TRANSISTOR | |
| Q1471-72 | 25C2412K/QR/-X | SI .TRANSISTOR | |
| Q1561 | 25C2412K/QR/-X | SI .TRANSISTOR | |
| Q1562 | 25A1037AK/QR/-X | SI .TRANSISTOR | |
| Q1601-02 | 25A1037AK/QR/-X | SI .TRANSISTOR | |
| Q1604-05 | DTC124EKA-X | DIGI .TRANSISTOR | |
| Q1606 | 25C2412K/QR/-X | SI .TRANSISTOR | |
| Q1607 | DTA124EKA-X | DIGI .TRANSISTOR | |
| Q1615 | 25A1037AK/QR/-X | SI .TRANSISTOR | |
| Q1616-17 | DTC323TK-X | DIGI .TRANSISTOR | |
| IC | | | |
| IC1101 | MSP3415DQGB3GHX | I .C. (MONO-ANA) | |
| IC1301 | SDA9380 | I C | |
| IC1402 | BA10324AF-XE | I C | |
| IC1471 | UPC358G2-XE | I .C. (MONO-ANA) | |
| IC1551 | LA6515 | I .C. (MONO-ANA) | |
| IC1601 | TA8246AH | I .C. (HYBRID) | |
| IC1662 | BA4558F-X | I .C. (MONO-ANA) | |
| IC1663 | NJM2150AM-X | I .C. (MONO-ANA) | |
| IC1665 | BA10324AF-XE | I C | |
| IC1701 | JLC1562BF-X | I .C. (DIGI-MOS) | |
| IC1951 | BA09T | I .C. (MONO-ANA) | |
| IC1952 | BA08T | I .C. (MONO-ANA) | |
| OTHERS | | | |
| J1001 | QNN0296-001 | PIN JACK | |
| K1001 | NQR0389-003X | FERRITE BEADS | |
| K1101-02 | NQR0389-003X | FERRITE BEADS | |
| K1301 | NQR0413-003X | CHIP BEADS | |
| K1601-02 | CE42681-001Y | BEADS CORE | |
| LC1102 | NQR0431-001X | EMI FILTER | |
| LC1301-03 | NQR0431-001X | EMI FILTER | |
| TU1001 | QAU0188-003 | TUNER | |
| X1101 | CE42546-001Z | CRYSTAL | |
| X1501 | QAX0549-001Z | CRYSTAL | |
| Y1612-13 | NCF21CZ-105X | C CAP. | 1μF 16V Z |

POWER & DEF. P.W. BOARD ASS'Y
(SMF-2002A-U2)

| Symbol No. | Part No. | Part Name | Description |
|-----------------|---------------|-----------|--------------|
| RESISTOR | | | |
| R2401-02 | QRE141J-562Y | C R | 5.6kΩ 1/4W J |
| R2403 | QRE141J-222Y | C R | 2.2kΩ 1/4W J |
| R2404 | QRX01GJ-1R0 | MF R | 1.0Ω 1W J |
| R2405 | QRL029J-151 | OM R | 150Ω 2W J |
| R2406 | QRE141J-222Y | C R | 2.2kΩ 1/4W J |
| R2407-08 | QRX01GJ-1R5 | MF R | 1.5Ω 1W J |
| R2409 | QRE141J-823Y | C R | 82kΩ 1/4W J |
| R2410 | QRE141J-103Y | C R | 10kΩ 1/4W J |
| R2421 | QRE141J-103Y | C R | 10kΩ 1/4W J |
| R2422 | QRE141J-274Y | C R | 270kΩ 1/4W J |
| R2461 | QRG029J-820 | OM R | 82 Ω 2W J |
| R2462 | QRE141J-473Y | C R | 47kΩ 1/4W J |
| R2463 | QRE141J-682Y | C R | 6.8kΩ 1/4W J |
| R2464 | QRX01GJ-3R3 | MF R | 3.3Ω 1W J |
| R2468 | QRE141J-102Y | C R | 1kΩ 1/4W J |
| R2469 | QRE141J-272Y | C R | 2.7kΩ 1/4W J |
| R2471 | QRE141J-391Y | C R | 390Ω 1/4W J |
| R2472 | QRA14CF-1002Y | MF R | 10kΩ 1/4W F |
| R2473 | QRE141J-473Y | C R | 47kΩ 1/4W J |
| R2474 | QRE141J-103Y | C R | 10kΩ 1/4W J |
| R2475 | QRE141J-102Y | C R | 1kΩ 1/4W J |
| R2476 | QRE141J-102Y | C R | 1kΩ 1/4W J |
| R2477 | QRE141J-563Y | C R | 56kΩ 1/4W J |
| R2478 | QRE141J-333Y | C R | 33kΩ 1/4W J |
| R2501 | QRE141J-471Y | C R | 470Ω 1/4W J |
| R2502 | QRE141J-123Y | C R | 12kΩ 1/4W J |
| R2503 | QRE121J-152Y | C R | 1.5kΩ 1/2W J |
| R2504 | QRL039J-272 | OM R | 2.7kΩ 3W J |
| R2505 | QRL039J-332 | OM R | 3.3kΩ 3W J |
| R2506 | QRE121J-5R6Y | C R | 5.6Ω 1/2W J |
| R2521 | QRE121J-471Y | C R | 470Ω 1/2W J |
| R2522 | QRE141J-223Y | C R | 22kΩ 1/4W J |
| R2523 | QRE141J-103Y | C R | 10kΩ 1/4W J |
| R2524 | QRC121K-152Z | COMP. R | 1.5kΩ 1/2W K |
| R2541 | QRE141J-182Y | C R | 1.8kΩ 1/4W J |
| R2542 | QRE141J-222Y | C R | 2.2kΩ 1/4W J |
| R2543 | QRE121J-272Y | C R | 2.7kΩ 1/2W J |
| R2551 | QRZ9022-R47 | F R | 0.47 Ω 1W K |
| R2552 | QRZ9022-R47 | F R | 0.47 Ω 1W K |
| R2553 | QRZ9017-4R7 | F R | 4.7 Ω 1/4W J |
| R2554 | QRE141J-0R0Y | C R | 0.0Ω 1/4W J |
| R2561 | QRG01GJ-220 | OM R | 22Ω 1W J |
| R2562 | QRE121J-123Y | C R | 12kΩ 1/2W J |
| R2563 | QRZ0056-103Z | COMP. R | 10kΩ |
| R2581 | QRF154K-4R7 | UNF R | 4.7Ω 15W K |
| R2582 | QRE141J-681Y | C R | 680Ω 1/4W J |
| R2583 | QRE121J-682Y | C R | 6.8kΩ 1/2W J |
| R2584 | QRE141J-183Y | C R | 18kΩ 1/4W J |
| R2585 | QRE141J-222Y | C R | 2.2kΩ 1/4W J |
| R2586 | QRA14CF-6801Y | MF R | 6.8kΩ 1/4W F |
| R2587 | QRA14CF-2101Y | MF R | 2.1kΩ 1/4W F |
| R2588 | QRE141J-103Y | C R | 10kΩ 1/4W J |
| R2591 | QRZ9017-4R7 | F R | 4.7 Ω 1/4W J |
| R2901 | QRE121J-331Y | C R | 330Ω 1/2W J |
| R2902 | QRF054K-3R3 | UNF R | 3.3Ω 5W K |
| R2903 | QRF104K-3R9 | UNF R | 3.9Ω 10W K |
| R2904 | QRL039J-683 | OM R | 68kΩ 3W J |
| R2905-06 | QRE121J-474Y | C R | 470kΩ 1/2W J |
| R2908-09 | QRL039J-823 | OM R | 82kΩ 3W J |
| R2910 | QRZ9017-4R7 | F R | 4.7 Ω 1/4W J |
| R2911 | QRE121J-152Y | C R | 1.5kΩ 1/2W J |
| R2914 | QRM059J-R10 | MP R | 0.10Ω 5W J |
| R2915 | QRE121J-681Y | C R | 680Ω 1/2W J |
| R2916 | QRE121J-332Y | C R | 3.3kΩ 1/2W J |
| R2932 | QRZ9017-470 | F R | 47 Ω 1/4W J |
| R2933 | QRE121J-272Y | C R | 2.7kΩ 1/2W J |
| R2934 | QRE121J-564Y | C R | 560kΩ 1/2W J |
| R2935 | QRE141J-472Y | C R | 4.7kΩ 1/4W J |
| R2936 | QRX01GJ-3R9 | MF R | 3.9Ω 1W J |
| R2937 | QRE121J-681Y | C R | 680Ω 1/2W J |
| R2941 | QRE121J-331Y | C R | 330Ω 1/2W J |
| R2942 | QRE121J-471Y | C R | 470Ω 1/2W J |

| Symbol No. | Part No. | Part Name | Description |
|-----------------|--------------|-----------|--------------|
| RESISTOR | | | |
| R2943 | QRE141J-103Y | C R | 10kΩ 1/4W J |
| R2944 | QRE141J-103Y | C R | 10kΩ 1/4W J |
| R2945 | QRE141J-563Y | C R | 56kΩ 1/4W J |
| R2946 | QRE141J-103Y | C R | 10kΩ 1/4W J |
| R2949 | QRE141J-101Y | C R | 100Ω 1/4W J |
| R2950 | QRE141J-103Y | C R | 10kΩ 1/4W J |
| R2951 | QRE121J-102Y | C R | 1kΩ 1/2W J |
| R2952 | QRL039J-223 | OM R | 22kΩ 3W J |
| R2953 | QRE141J-474Y | C R | 470kΩ 1/4W J |
| R2954 | QRE141J-103Y | C R | 10kΩ 1/4W J |
| R2959 | QRT039J-R68 | MF R | 0.68Ω 3W J |
| R2960 | QRE141J-103Y | C R | 10kΩ 1/4W J |
| R2963 | QRL039J-561 | OM R | 560Ω 3W J |
| R2981 | QRE141J-153Y | C R | 15kΩ 1/4W J |
| R2982 | QRE141J-102Y | C R | 1kΩ 1/4W J |
| △ R2991 | QRZ0057-825 | C R | 8.2MΩ 1W J |

| Symbol No. | Part No. | Part Name | Description |
|------------------|--------------|-----------|------------------|
| CAPACITOR | | | |
| C2403 | QFLC2AJ-104Z | M CAP. | 0.1μF 100V J |
| C2404 | QCZ0120-104Z | C CAP. | 0.1μF 25V Z |
| C2405 | QDC31HJ-820Z | C CAP. | 82pF 50V J |
| C2406 | QETM1VM-108 | E CAP. | 1000pF 35V M |
| C2408 | QETM1VM-337Z | E CAP. | 330μF 35V M |
| C2409-10 | QFV71HJ-474Z | MF CAP. | 0.47μF 50V J |
| C2411 | QFLC2AJ-104Z | M CAP. | 0.1μF 100V J |
| C2414 | QCB31HK-682Z | C CAP. | 6800pF 50V K |
| C2421 | QETN1HM-105Z | E CAP. | 1μF 50V M |
| C2461 | QEZO472-106Z | E CAP. | 10μF 250V M |
| C2462 | QFM72DJ-152Z | M CAP. | 1500pF 200V J |
| C2463 | QFM72DJ-122Z | M CAP. | 1200pF 200V J |
| C2464 | QCZ0120-104Z | C CAP. | 0.1μF 25V Z |
| C2465 | QETN1HM-106Z | E CAP. | 10μF 50V M |
| C2466 | QFP31HJ-272Z | PP CAP. | 2700pF 50V J |
| C2467 | QFLC1HJ-102Z | M CAP. | 1000pF 50V J |
| C2468 | QETN1EM-476Z | E CAP. | 47μF 25V M |
| C2470 | QCS31HJ-470Z | C CAP. | 47pF 50V J |
| C2471 | QFLC1HJ-103Z | M CAP. | 0.01μF 50V J |
| C2501 | QCB32HK-331Z | C CAP. | 330pF 500V K |
| C2502 | QFM72DK-103 | M CAP. | 0.01μF 200V K |
| C2503 | QFV71HJ-224Z | MF CAP. | 0.22μF 50V J |
| △ C2521 | QFZ0122-112 | MPP CAP. | 1100pF1.8KVH±3% |
| △ C2522 | QFZ0200-113 | MPP CAP. | 0.011μF1.5KVH±3% |
| C2523 | QFM72DK-393 | M CAP. | 0.039μF 200V K |
| △ C2524 | QFP32JJ-183 | PP CAP. | 0.018μF 630V J |
| C2525 | QFZ0194-914 | MPP CAP. | 0.91μF 250V J |
| C2526 | QFZ0197-104 | MPP CAP. | 0.11μF 250V J |
| C2527 | QFZ0194-154 | MPP CAP. | 0.15μF 250V J |
| C2528 | QFZ0197-104 | MPP CAP. | 0.11μF 250V J |
| C2529 | QFZ0194-154 | MPP CAP. | 0.15μF 250V J |
| C2530 | QCB32HK-561Z | C CAP. | 560pF 500V K |
| C2531 | QFZ0194-534 | MPP CAP. | 0.53μF 250V J |
| C2532 | QETM2CM-227 | E CAP. | 220μF 160V M |
| C2541 | QENC1HM-105Z | BP E CAP. | 1μF 50V M |
| C2551 | QCB32HK-152Z | C CAP. | 1500pF 500V K |
| C2552 | QETN1CM-108Z | E CAP. | 1000μF 16V M |
| C2553 | QCB32HK-152Z | C CAP. | 1500pF 500V K |
| C2554 | QETN1CM-108Z | E CAP. | 1000μF 16V M |
| C2555 | QCB32HK-102Z | C CAP. | 1000pF 500V K |
| C2556 | QETN2EM-106Z | E CAP. | 10μF 250V M |
| C2558 | QETN1CM-477Z | E CAP. | 470μF 16V M |
| C2559 | QEHR1CM-227Z | E CAP. | 220μF 16V M |
| C2561 | QFLC2AJ-223Z | M CAP. | 0.022μF 100V J |
| C2581 | QETN1CM-107Z | E CAP. | 100μF 16V M |
| C2582 | QETN1EM-476Z | E CAP. | 47μF 25V M |
| C2583 | QETN2AM-106Z | E CAP. | 10μF 100V M |
| C2584 | QETN1AM-227Z | E CAP. | 220μF 10V M |
| △ C2901 | QFZ9075-473 | MPP CAP. | 0.047μFAC275V M |
| △ C2902 | QFZ9075-104 | MPP CAP. | 0.1μFAC275V M |
| △ C2903 | QFZ9075-473 | MPP CAP. | 0.047μFAC275V M |
| C2904 | QCZ9054-472 | C CAP. | 4700pFAC250V Z |
| C2905 | QCZ9054-472 | C CAP. | 4700pFAC250V Z |
| C2906 | QCZ9054-472 | C CAP. | 4700pFAC250V Z |

| Symbol No. | Part No. | Part Name | Description |
|------------------|--------------|-----------|----------------|
| CAPACITOR | | | |
| C2907 | QEZO199-227 | E CAP. | 220μF 400V M |
| C2908 | QCB32HK-103 | C CAP. | 0.01μF 500V K |
| C2909 | QCZ0340-391 | C CAP. | 390pF 2kV K |
| C2910 | QETN1HM-476Z | E CAP. | 47μF 50V M |
| C2911 | QCB31HK-122Z | C CAP. | 1200pF 50V K |
| C2912 | QCZ0340-561 | C CAP. | 560pF 2kV K |
| C2914 | QCB31HK-471Z | C CAP. | 470pF 50V K |
| C2916 | QCB32HK-152Z | C CAP. | 1500pF 500V K |
| △ C2931 | QCZ9054-472 | C CAP. | 4700pFAC250V Z |
| △ C2932 | QCZ9054-472 | C CAP. | 4700pFAC250V Z |
| △ C2933 | QCZ9054-472 | C CAP. | 4700pFAC250V Z |
| C2934 | QETM2GM-226 | E CAP. | 22μF 400V M |
| C2936 | QCZ0340-151 | C CAP. | 150pF 2kV K |
| C2937 | QETN1HM-475Z | E CAP. | 4.7μF 50V M |
| C2938 | QCB31HK-222Z | C CAP. | 2200pF 50V K |
| C2939 | QFLC1HJ-103Z | M CAP. | 0.01μF 50V J |
| C2940 | QCB31HK-471Z | C CAP. | 470pF 50V K |
| C2941 | QETN1AM-108Z | E CAP. | 1000pF 10V M |
| C2942 | QFLC1HJ-102Z | M CAP. | 1000pF 50V J |
| C2951 | QEZO203-227 | E CAP. | 220μF 160V M |
| C2952 | QTHM1EM-228 | E CAP. | 2200μF 25V M |
| C2954 | QETM1VM-228 | E CAP. | 2200μF 35V M |
| C2959 | QFV71HJ-684Z | MF CAP. | 0.68μF 50V J |
| C2960 | QCZ0131-821 | C CAP. | 820pF 2kV K |
| C2963 | QCB32HK-152Z | C CAP. | 1500pF 500V K |
| C2972 | QETN1CM-108Z | E CAP. | 1000μF 16V M |
| C2974-75 | QEZO256-128 | E CAP. | 1200μF 10V M |
| C2976 | QETN1CM-108Z | E CAP. | 1000μF 16V M |
| C2978-79 | QEZO256-128 | E CAP. | 1200μF 10V M |
| △ C2991 | QCZ9079-222 | C CAP. | 2200pFAC250V M |
| △ C2993 | QCZ9079-471 | C CAP. | 470pFAC250V K |

| Symbol No. | Part No. | Part Name | Description |
|--------------------|----------------|---------------|--------------------------|
| TRANSFORMER | | | |
| T2501 | QQR1111-001 | DRIVE TRANSF. | |
| T2521 | QQR1188-001 | PIN TRANSF. | |
| △ T2551 | QQH0091-002-12 | FBT | (SERVICE)with ANODE WIRE |
| T2561 | QQR1096-001 | DEF. TRANSF. | |
| △ T2901 | QQS0102-001 | SW TRANSF. | |
| △ T2931 | QQS0101-001 | SW TRANSF. | |

| Symbol No. | Part No. | Part Name | Description |
|-------------|---------------|----------------|-------------|
| COIL | | | |
| L2461 | QQLZ030-801 | INDUCTOR | |
| L2462 | QQLZ028-272 | CHOKE COIL | |
| L2521 | QQLZ031-180 | CHOKE COIL | |
| L2522 | QQR1191-001 | LINEARITY COIL | |
| L2551 | QQLZ026-540 | HEATER CHOKE | |
| L2552 | QQLZ26AK-220Z | COIL | 22μH K |
| L2561 | QQLZ028-272 | CHOKE COIL | |
| L2901-02 | QQL401K-100Z | CHOKE COIL | |
| L2903 | QQR1200-001 | CHOKE COIL | |
| L2951 | QQLZ026-460 | HEATER CHOKE | |
| L2954-55 | QQR1129-001 | CHOKE COIL | |
| L2957 | QQLZ026-460 | HEATER CHOKE | |
| L2958 | QQLZ026-460 | HEATER CHOKE | |
| L2959-60 | QQLZ26AK-220Z | COIL | 22μH K |

| Symbol No. | Part No. | Part Name | Description |
|--------------|---------------|-------------|-------------|
| DIODE | | | |
| D2402 | 1SR35-400A-T2 | SI. DIODE | |
| D2421 | 1SS133-T2 | SI. DIODE | |
| D2461 | EU2-T3 | SI. DIODE | |
| D2462 | 1SS133-T2 | SI. DIODE | |
| D2463 | 1SS133-T2 | SI. DIODE | |
| D2501 | 1SS81-T5 | SI. DIODE | |
| D2521 | V11CA-C1 | SI. DIODE | |
| D2522 | FMV-3FU-F1 | SI. DIODE | |
| D2523 | MTZJ22B-T2 | ZENER DIODE | |
| D2541 | EU2-T3 | SI. DIODE | |
| D2542 | MTZJ3.9B-T2 | ZENER DIODE | |
| D2551 | EU2-T3 | SI. DIODE | |
| D2552 | EU2-T3 | SI. DIODE | |
| D2553 | RH1S-T3 | SI. DIODE | |
| D2582 | MTZJ7.5B-T2 | ZENER DIODE | |
| D2583 | MTZJ7.5S-T2 | ZENER DIODE | |

AV32L2EUGR
AV32L2EUBL
AV32L2EUGY

| Symbol No. | Part No. | Part Name | Description |
|--------------|----------------|------------------|-------------|
| DIODE | | | |
| △ D2584 | EU2-T3 | SI. DIODE | |
| D2901 | D35B60 | BRIDGE DIODE | |
| D2902 | RG1C-LFA1 | SI. DIODE | |
| D2904 | AU01Z-T2 | SI. DIODE | |
| D2905 | AU01Z-T2 | SI. DIODE | |
| D2906 | MTZJ27B-T2 | ZENER DIODE | |
| D2907 | 1SS133-T2 | SI. DIODE | |
| D2908 | 1SS133-T2 | SI. DIODE | |
| D2910 | MTZJ15B-T2 | ZENER DIODE | |
| D2912 | MTZJ27B-T2 | ZENER DIODE | |
| △ D2931 | S1WB/A/60-4101 | SI. DIODE | |
| D2933 | AU01Z-T2 | SI. DIODE | |
| D2934 | AU01Z-T2 | SI. DIODE | |
| D2935 | 1SS133-T2 | SI. DIODE | |
| D2941 | RG10J-5025-T3 | SI. DIODE | |
| D2943 | MTZJ7.5B-T2 | ZENER DIODE | |
| D2944 | NJM431L-T | I. C. (MONO-ANA) | |
| D2945 | 1SS133-T2 | SI. DIODE | |
| D2951 | RU4B-F1 | SI. DIODE | |
| D2952 | FMX-G12S | SI. DIODE | |
| D2953 | RU4B-F1 | SI. DIODE | |
| D2954 | FMX-G12S | SI. DIODE | |
| D2958 | MTZJ33B-T2 | ZENER DIODE | |
| D2959-60 | RK34-LFC4 | SI. DIODE | |
| D2961 | 1SR35-400A-T2 | SI. DIODE | |
| D2981 | 1SS133-T2 | SI. DIODE | |
| D2984 | 1SS133-T2 | SI. DIODE | |
| D2985 | 1SS133-T2 | SI. DIODE | |

| | | | |
|-------------------|-----------------|------------------|--|
| TRANSISTOR | | | |
| Q2421 | DTC124ESA-T | DIGI. TRANSISTOR | |
| Q2422 | 2SC1740S/QR/-T | SI. TRANSISTOR | |
| Q2461 | 2SK2459N-F54 | F. E. T. | |
| Q2462-63 | 2SC1740S/QR/-T | SI. TRANSISTOR | |
| Q2464 | 2SA933AS/QR/-T | SI. TRANSISTOR | |
| Q2501 | BSN304-T | F. E. T. | |
| △ Q2521 | 2SC5552-RL | SI. TRANSISTOR | |
| Q2581 | 2SA1208/ST/Z1-T | SI. TRANSISTOR | |
| Q2582 | DTC144ESA-T | DIGI. TRANSISTOR | |
| Q2583 | 2SC1740S/QR/-T | SI. TRANSISTOR | |
| Q2941-42 | 2SC1740S/QR/-T | SI. TRANSISTOR | |

| | | | |
|-----------|---------------|------------------|--|
| IC | | | |
| IC2401 | LA78041 | I. C. | |
| IC2461 | BA10393 | I. C. (MONO-ANA) | |
| IC2551 | BA12T | I. C. (MONO-ANA) | |
| IC2901 | STR-F6667B/F7 | I. C. (HYBRID) | |
| IC2931 | STR-L472/F7 | I. C. | |
| IC2951 | SE140N | I. C. (HYBRID) | |
| IC2954 | SI-8050S | I. C. (HYBRID) | |
| IC2955 | SI-8033S/F1 | I. C. (HYBRID) | |

| | | | |
|---------------|-----------------|---------------------|--|
| OTHERS | | | |
| CN2010 | QGA2501C5-04Z | W TO B CONNE | |
| CN2014 | QGA2501C5-06Z | EH POST HEADER | |
| CP2931 | QMFZ043-2R0Z-J1 | FUSE | |
| △ CP2941 | ICP-N25-Y | I. C. PROTECT | |
| △ CP2954 | ICP-N75-Y | I. C. PROTECT | |
| △ LF2901 | QQR1095-001 | LINE FILTER | |
| △ TH2901 | QADO133-9R0 | PTC | |
| K2401 | QQR0621-002Z | BEADS CORE | |
| K2522-24 | CE41832-001 | LEAD CORE | |
| K2901 | QQR0679-001 | FERRITE BEADS | |
| K2952 | QQR0621-002Z | BEADS CORE | |
| K2953 | QQR0621-002Z | BEADS CORE | |
| K2954 | QQR0621-002Z | BEADS CORE | |
| △ PC2901 | PC123FY2 | I. C. (PH. COUPLER) | |
| △ PC2931 | PC123FY2 | I. C. (PH. COUPLER) | |
| △ RY2931 | QSK0099-001 | RELAY | |

■ CRT SOCKET P.W. BOARD ASS'Y
(SMF-3001A-U2)

| Symbol No. | Part No. | Part Name | Description |
|-----------------|--------------|-----------|---------------|
| RESISTOR | | | |
| R3101 | NRSA63J-123X | MG R | 12kΩ 1/16W J |
| R3102 | NRSA63J-681X | MG R | 680Ω 1/16W J |
| R3103 | NRSA63J-101X | MG R | 100Ω 1/16W J |
| R3104 | NRSA63J-472X | MG R | 4.7kΩ 1/16W J |
| R3105 | NRSA63J-102X | MG R | 1kΩ 1/16W J |
| R3106 | NRSA63J-221X | MG R | 220Ω 1/16W J |
| R3107 | NRSA63J-561X | MG R | 560Ω 1/16W J |
| R3109 | NRSA63J-153X | MG R | 15kΩ 1/16W J |
| R3110 | NRSA63J-222X | MG R | 2.2kΩ 1/16W J |
| R3111 | NRSA63J-182X | MG R | 1.8kΩ 1/16W J |
| R3112 | NRSA63J-272X | MG R | 2.7kΩ 1/16W J |
| R3113 | NRSA63J-331X | MG R | 330Ω 1/16W J |
| R3114 | NRSA63J-152X | MG R | 1.5kΩ 1/16W J |
| R3115 | NRSA63J-820X | MG R | 82Ω 1/16W J |
| R3116 | QRG01GJ-101 | OM R | 100Ω 1W J |
| R3117 | NRSA63J-221X | MG R | 220Ω 1/16W J |
| R3122 | NRSA63J-122X | MG R | 1.2kΩ 1/16W J |
| R3123 | QRE121J-563Y | C R | 56kΩ 1/2W J |
| R3124 | NRSA63J-470X | MG R | 47Ω 1/16W J |
| R3125 | QRE121J-563Y | C R | 56kΩ 1/2W J |
| R3126 | NRSA63J-470X | MG R | 47Ω 1/16W J |
| R3127 | NRSA63J-122X | MG R | 1.2kΩ 1/16W J |
| R3128 | NRSA63J-390X | MG R | 39Ω 1/16W J |
| R3129-30 | QRE121J-2R7Y | C R | 2.7Ω 1/2W J |
| R3131 | NRSA63J-390X | MG R | 39Ω 1/16W J |
| R3132 | NRSA63J-121X | MG R | 120Ω 1/16W J |
| R3133 | QRL029J-391 | OM R | 390Ω 2W J |
| △ R3134 | QRZ9021-561 | F R | 560 Ω 1W J |
| R3204-06 | NRSA63J-272X | MG R | 2.7kΩ 1/16W J |
| R3211 | NRSA63J-154X | MG R | 150kΩ 1/16W J |
| R3223-25 | NRSA63J-272X | MG R | 2.7kΩ 1/16W J |
| R3227 | NRSA63J-103X | MG R | 10kΩ 1/16W J |
| R3228 | NRSA63J-272X | MG R | 2.7kΩ 1/16W J |
| R3229-31 | QRL029J-104 | OM R | 100kΩ 2W J |
| R3232-34 | NRSA63J-332X | MG R | 3.3kΩ 1/16W J |
| R3235-37 | QRC121K-152Z | COMP. R | 1.5kΩ 1/2W K |
| R3239 | QRZ0107-474Z | C R | 470kΩ 1/2W K |
| R3241 | QRZ0107-105Z | C R | 1.0MΩ 1/2W K |
| R3242 | NRSA63J-103X | MG R | 10kΩ 1/16W J |
| R3244 | NRSA63J-102X | MG R | 1kΩ 1/16W J |
| R3245-47 | NRSA63J-562X | MG R | 5.6kΩ 1/16W J |
| R3301-02 | QRE121J-474Y | C R | 470kΩ 1/2W J |
| R3303-04 | NRSA63J-223X | MG R | 22kΩ 1/16W J |
| R3305 | NRSA63J-562X | MG R | 5.6kΩ 1/16W J |
| R3306 | NRSA63J-392X | MG R | 3.9kΩ 1/16W J |
| R3310 | NRSA63J-0R0X | MG R | 0.0Ω 1/16W J |

| | | | |
|------------------|--------------|---------|-----------------|
| CAPACITOR | | | |
| C3102 | NDC31HJ-8R0X | C CAP. | 8.0pF 50V J |
| C3103 | NDC31HJ-151X | C CAP. | 150pF 50V J |
| C3104 | QCB31HK-103Z | C CAP. | 0.01μF 50V K |
| C3106 | QETN1HM-335Z | E CAP. | 3.3μF 50V M |
| C3107 | QETN1CM-107Z | E CAP. | 100μF 16V M |
| C3110 | QETN2CM-106Z | E CAP. | 10μF 160V M |
| C3111 | QCB32HK-472Z | C CAP. | 4700pF 500V K |
| C3113 | QETN2CM-106Z | E CAP. | 10μF 160V M |
| C3114 | QCB32HK-472Z | C CAP. | 4700pF 500V K |
| C3116-17 | QETN1AM-107Z | E CAP. | 100μF 10V M |
| C3118 | QETN1AM-337Z | E CAP. | 330μF 10V M |
| C3120-21 | NDC31HJ-221X | C CAP. | 220pF 50V J |
| C3201-03 | NDC31HJ-8R0X | C CAP. | 8.0pF 50V J |
| C3204-06 | NCF31CZ-104X | C CAP. | 0.1μF 16V Z |
| C3207-09 | QETN1EM-476Z | E CAP. | 47μF 25V M |
| C3210-12 | QFK62EK-104Z | MM CAP. | 0.1μF 250V K |
| C3213-15 | NDC31HJ-181X | C CAP. | 180pF 50V J |
| C3216 | QETN1CM-107Z | E CAP. | 100μF 16V M |
| C3218 | QETM2EM-336 | E CAP. | 33μF 250V M |
| C3219 | QFZ0097-223 | MM CAP. | 0.022μF 1250V K |
| C3221 | QETN2EM-106Z | E CAP. | 10μF 250V M |
| C3302 | QETN1AM-477Z | E CAP. | 470μF 10V M |

| Symbol No. | Part No. | Part Name | Description |
|-------------------|-----------------|------------------|-------------|
| COIL | | | |
| L3101 | QQL244K-5R6Z | COIL | 5.6μH K |
| L3204 | QQL26AJ-102Z | COIL | 1mH J |
| DIODE | | | |
| D3101-02 | MA111-X | SI. DIODE | |
| D3103 | RH1S-T3 | SI. DIODE | |
| D3104 | RH1S-T3 | SI. DIODE | |
| D3204-06 | EU01N-T2 | SI. DIODE | |
| D3208-10 | 1SR124-400A-T2 | SI. DIODE | |
| D3211 | MA3062/M/-X | ZENER DIODE | |
| D3301 | MA111-X | SI. DIODE | |
| D3303 | MA111-X | SI. DIODE | |
| TRANSISTOR | | | |
| Q3101 | 2SC2412K/QR/-X | SI. TRANSISTOR | |
| Q3102 | 2SA1037AK/QR/-X | SI. TRANSISTOR | |
| Q3103 | 2SC1906-T | SI. TRANSISTOR | |
| Q3104 | 2SC2412K/QR/-X | SI. TRANSISTOR | |
| Q3105 | 2SC1627A/OY/-T | SI. TRANSISTOR | |
| Q3108 | 2SA1837 | SI. TRANSISTOR | |
| Q3109 | 2SC4793 | SI. TRANSISTOR | |
| Q3301 | 2SA1037AK/QR/-X | SI. TRANSISTOR | |
| IC | | | |
| IC3201-03 | TDA6111Q | I. C. (MONO-ANA) | |
| OTHERS | | | |
| K3101 | CE41492-001Z | CHOKE COIL | |
| K3103-04 | CE41492-001Z | CHOKE COIL | |
| K3105 | QQR0621-002Z | BEADS CORE | |
| SK3001 | QNZ0380-001 | C. R. T. SOCKET | |

**FRONT CONTROL P.W. BOARD ASS'Y
(SMF-8001A-U2)**

| Symbol No. | Part No. | Part Name | Description |
|-------------------|-----------------|------------------|----------------|
| RESISTOR | | | |
| R8003 | NRSA63J-102X | MG R | 1kΩ 1/16W J |
| R8004 | NRSA63J-222X | MG R | 2.2kΩ 1/16W J |
| R8005 | NRSA63J-221X | MG R | 220Ω 1/16W J |
| R8006 | NRSA63J-182X | MG R | 1.8kΩ 1/16W J |
| R8008 | NRSA63J-102X | MG R | 1kΩ 1/16W J |
| R8020 | NRSA63J-822X | MG R | 8.2kΩ 1/16W J |
| R8035 | QRE121J-151Y | C R | 150Ω 1/2W J |
| R8039 | NRSA63J-331X | MG R | 330Ω 1/16W J |
| CAPACITOR | | | |
| C8003 | QETN1HM-106Z | E CAP. | 10μF 50V M |
| C8004 | NCB31CK-104X | CHIP CAP. | 0.1μF 16V K |
| C8019 | QETN1CM-107Z | E CAP. | 100μF 16V M |
| C8022 | QETN1EM-476Z | E CAP. | 47μF 25V M |
| C8901 | QFZ9040-474 | MF CAP. | 0.47μFAC275V M |
| DIODE | | | |
| D8007 | P1241-04 | C. D. S. | |
| D8008 | MA111-X | SI. DIODE | |
| D8010 | SPR-39MVWF | L. E. D. | |
| D8011 | MA111-X | SI. DIODE | |
| D8014 | MA3068/M/-X | ZENER DIODE | |
| D8018 | MA3033-X | ZENER DIODE | |
| TRANSISTOR | | | |
| Q8001 | 2SA1037AK/QR/-X | SI. TRANSISTOR | |
| Q8002 | DTC124EKA-X | DIGI. TRANSISTOR | |
| Q8003-04 | DTA124EKA-X | DIGI. TRANSISTOR | |
| IC | | | |
| IC8001 | GP1U281Q | IFR DETECT UNIT | |
| OTHERS | | | |
| | CM35921-005-H | CDS HOLDER | |
| | LC30349-001A-H | L. E. D. HOLDER | |
| | CEMG002-001Z | FUSE CLIP | (x2) |
| LF8901 | QQR1095-001 | LINE FILTER | |
| F8901 | QMF51D2-3R15J1 | FUSE | |
| S8901 | QSW0824-001 | PUSH SWITCH | MAIN POWER |

**SIDE CONTROL P.W. BOARD ASS'Y
(SMF-8101A-U2)**

| Symbol No. | Part No. | Part Name | Description |
|------------------|--------------|--------------|--------------|
| RESISTOR | | | |
| R8001-02 | QRE121J-271Y | C R | 270Ω 1/2W J |
| R8010 | NRSA63J-103X | MG R | 10kΩ 1/16W J |
| R8012-13 | NRSA63J-103X | MG R | 10kΩ 1/16W J |
| R8021-22 | NRSA63J-102X | MG R | 1kΩ 1/16W J |
| CAPACITOR | | | |
| C8001-02 | NCB31HK-103X | C CAP. | 0.01μF 50V K |
| C8003 | NDC31HJ-680X | C CAP. | 680pF 50V J |
| C8010-11 | NCB31HK-472X | C CAP. | 4700pF 50V K |
| C8021 | NCB31CK-104X | CHIP CAP. | 0.1μF 16V K |
| COIL | | | |
| L8001 | QQR0716-001Z | LEAD CORE | |
| L8002-03 | QQL244K-5R6Z | COIL | 5.6μH K |
| L8010-11 | QQL244K-270Z | PEAKING COIL | |
| L8012 | QQR0716-001Z | LEAD CORE | |
| OTHERS | | | |
| LC8002 | NQR0169-001X | EMI FILTER | |
| J8001 | QNS0169-001 | PIN JACK | |
| J8003 | QNZ0438-001 | JACK | |
| S8001 | QSW0619-003Z | PUSH SWITCH | MENU |
| S8002 | QSW0619-003Z | PUSH SWITCH | CH DOWN |
| S8003 | QSW0619-003Z | PUSH SWITCH | CH UP |

■ MICON P.W. BOARD ASS'Y (SMF0M001A-U2)

| △ Symbol No. | Part No. | Part Name | Description |
|------------------|--------------|-----------|---------------|
| RESISTOR | | | |
| R0001 | NRSA63J-102X | MG R | 1kΩ 1/16W J |
| R0002 | NRSA63J-104X | MG R | 100kΩ 1/16W J |
| R0003-05 | NRSA63J-102X | MG R | 1kΩ 1/16W J |
| R0006 | NRSA63J-152X | MG R | 1.5kΩ 1/16W J |
| R0007-08 | NRSA63J-102X | MG R | 1kΩ 1/16W J |
| R0009-11 | NRSA63J-103X | MG R | 10kΩ 1/16W J |
| R0012 | NRSA63J-273X | MG R | 27kΩ 1/16W J |
| R0013 | NRSA63J-221X | MG R | 220Ω 1/16W J |
| R0014 | NRSA63J-102X | MG R | 1kΩ 1/16W J |
| R0015 | NRSA63J-473X | MG R | 47kΩ 1/16W J |
| R0016-17 | NRSA63J-103X | MG R | 10kΩ 1/16W J |
| R0018-21 | NRSA63J-102X | MG R | 1kΩ 1/16W J |
| R0022 | NRSA63J-472X | MG R | 4.7kΩ 1/16W J |
| R0024 | NRSA63J-472X | MG R | 4.7kΩ 1/16W J |
| R0027 | NRSA63J-472X | MG R | 4.7kΩ 1/16W J |
| R0030 | NRSA63J-472X | MG R | 4.7kΩ 1/16W J |
| R0032 | NRSA63J-472X | MG R | 4.7kΩ 1/16W J |
| R0034-53 | NRSA63J-0R0X | MG R | 0.0Ω 1/16W J |
| R0055-77 | NRSA63J-0R0X | MG R | 0.0Ω 1/16W J |
| R0087 | NRSA63J-221X | MG R | 220Ω 1/16W J |
| R0089-91 | NRSA63J-221X | MG R | 220Ω 1/16W J |
| R0092 | NRSA63J-472X | MG R | 4.7kΩ 1/16W J |
| R0093 | NRSA63J-221X | MG R | 220Ω 1/16W J |
| R0094 | NRSA63J-472X | MG R | 4.7kΩ 1/16W J |
| R0095 | NRSA63J-473X | MG R | 47kΩ 1/16W J |
| R0096 | NRSA63J-221X | MG R | 220Ω 1/16W J |
| R0097 | NRSA63J-102X | MG R | 1kΩ 1/16W J |
| R0098 | NRSA63J-0R0X | MG R | 0.0Ω 1/16W J |
| R0099 | NRSA63J-102X | MG R | 1kΩ 1/16W J |
| R0100-02 | NRSA63J-102X | MG R | 1kΩ 1/16W J |
| R0103-06 | NRSA63J-103X | MG R | 10kΩ 1/16W J |
| R0107 | NRSA63J-102X | MG R | 1kΩ 1/16W J |
| R0110 | NRSA63J-102X | MG R | 1kΩ 1/16W J |
| R0111 | NRSA63J-103X | MG R | 10kΩ 1/16W J |
| R0112 | NRSA63J-102X | MG R | 1kΩ 1/16W J |
| R0113-14 | NRSA63J-103X | MG R | 10kΩ 1/16W J |
| R0119 | NRSA63J-563X | MG R | 56kΩ 1/16W J |
| R0120 | NRSA63J-332X | MG R | 3.3kΩ 1/16W J |
| R0121 | NRSA63J-182X | MG R | 1.8kΩ 1/16W J |
| R0122 | NRSA63J-103X | MG R | 10kΩ 1/16W J |
| R0123 | NRSA63J-682X | MG R | 6.8kΩ 1/16W J |
| R0124 | NRSA63J-101X | MG R | 100Ω 1/16W J |
| R0125-28 | NRSA63J-472X | MG R | 4.7kΩ 1/16W J |
| R0129 | NRSA63J-823X | MG R | 82kΩ 1/16W J |
| R0130 | NRSA63J-104X | MG R | 100kΩ 1/16W J |
| R0131 | NRSA63J-0R0X | MG R | 0.0Ω 1/16W J |
| R0133 | NRSA63J-0R0X | MG R | 0.0Ω 1/16W J |
| R0135 | NRSA63J-102X | MG R | 1kΩ 1/16W J |
| R0136 | NRSA63J-103X | MG R | 10kΩ 1/16W J |
| R0137-39 | NRSA63J-222X | MG R | 2.2kΩ 1/16W J |
| R0144 | NRSA63J-103X | MG R | 10kΩ 1/16W J |
| R0147 | NRSA63J-472X | MG R | 4.7kΩ 1/16W J |
| R0151 | NRSA63J-183X | MG R | 18kΩ 1/16W J |
| R0152-54 | NRSA63J-221X | MG R | 220Ω 1/16W J |
| R0155-56 | NRSA63J-101X | MG R | 100Ω 1/16W J |
| R0157 | NRSA63J-0R0X | MG R | 0.0Ω 1/16W J |
| R0158 | NRSA63J-221X | MG R | 220Ω 1/16W J |
| R0161 | NRSA63J-102X | MG R | 1kΩ 1/16W J |
| R0162 | NRSA63J-153X | MG R | 15kΩ 1/16W J |
| R0163 | NRSA63J-682X | MG R | 6.8kΩ 1/16W J |
| CAPACITOR | | | |
| C0001 | QETN0JM-477Z | E CAP. | 470μF 6.3V M |
| C0002 | NCF31CZ-104X | C CAP. | 0.1μF 16V Z |
| C0003 | NCB11CK-225X | CHIP CAP. | 2.2μF 16V K |
| C0004 | QETN0JM-108Z | E CAP. | 1000μF 6.3V M |
| C0005-06 | NCB11CK-225X | CHIP CAP. | 2.2μF 16V K |
| C0007 | NEH71CM-476X | E CAP. | 47μF 16V M |
| C0008 | NCB11CK-225X | CHIP CAP. | 2.2μF 16V K |
| C0012-13 | NCF31CZ-104X | C CAP. | 0.1μF 16V Z |

| △ Symbol No. | Part No. | Part Name | Description |
|-------------------|-----------------|------------------|---------------|
| CAPACITOR | | | |
| C0014 | NCB31HK-682X | CHIP CAP. | 6800pF 50V K |
| C0017 | NDC31HJ-150X | C CAP. | 150pF 50V J |
| C0019 | NEH71CM-476X | E CAP. | 47μF 16V M |
| C0020 | NCF31CZ-104X | C CAP. | 0.1μF 16V Z |
| C0021 | NEH71CM-476X | E CAP. | 47μF 16V M |
| C0022 | NCF31AZ-105X | C CAP. | 1μF 10V Z |
| C0023 | NCB31EK-333X | CHIP CAP. | 0.033μF 25V K |
| C0024 | NCF31CZ-104X | C CAP. | 0.1μF 16V Z |
| C0027-28 | NEH71CM-476X | E CAP. | 47μF 16V M |
| C0029 | NDC31HJ-151X | C CAP. | 150pF 50V J |
| C0030-32 | NCF31CZ-104X | C CAP. | 0.1μF 16V Z |
| C0034-39 | NCF31CZ-104X | C CAP. | 0.1μF 16V Z |
| C0040 | NDC31HJ-330X | C CAP. | 330pF 50V J |
| C0041 | NDC31HJ-270X | C CAP. | 270pF 50V J |
| C0042-43 | NCF31CZ-104X | C CAP. | 0.1μF 16V Z |
| C0045-47 | NCF31CZ-104X | C CAP. | 0.1μF 16V Z |
| C0048 | NEH71CM-476X | E CAP. | 47μF 16V M |
| C0049-50 | NCF31CZ-104X | C CAP. | 0.1μF 16V Z |
| C0051 | NEH71CM-476X | E CAP. | 47μF 16V M |
| C0052-57 | NCF31CZ-104X | C CAP. | 0.1μF 16V Z |
| C0059-61 | NEH71CM-106X | E CAP. | 10μF 16V M |
| C0062 | NCF31CZ-104X | C CAP. | 0.1μF 16V Z |
| C0063-65 | NDC31HJ-820X | C CAP. | 820pF 50V J |
| C0070 | NEH71HM-225X | E CAP. | 2.2μF 50V M |
| COIL | | | |
| L0001 | NQL092K-4R7X | CHIP INDUCTOR | |
| L0003 | NQL092K-4R7X | CHIP INDUCTOR | |
| L0005-08 | NQL092K-4R7X | CHIP INDUCTOR | |
| L0009 | NQL034K-4R7X | CHIP INDUCTOR | |
| L0010-14 | NQL092K-4R7X | CHIP INDUCTOR | |
| L0015-16 | NQL034K-4R7X | CHIP INDUCTOR | |
| L0017-22 | NQL092K-1R5X | CHIP INDUCTOR | |
| DIODE | | | |
| D0001-02 | MA111-X | SI DIODE | |
| D0003 | MA3068/M/-X | ZENER DIODE | |
| D0004 | MA3027-X | ZENER DIODE | |
| D0005-08 | MA3056/M/-X | ZENER DIODE | |
| D0010 | MA3068/M/-X | ZENER DIODE | |
| TRANSISTOR | | | |
| Q0001-02 | 2SC2712/YG/-X | SI TRANSISTOR | |
| Q0007-08 | 2SA1162/YG/-X | SI TRANSISTOR | |
| Q0009-12 | 2SC2712/YG/-X | SI TRANSISTOR | |
| IC | | | |
| IC0001 | SDA6000 | I C | |
| IC0003 | K4S161622D-TC80 | I. C. (D-RAM) | |
| IC0004 | AT24C32-28L2EU | I. C. | (SERVICE) |
| IC0005 | S-80828ANNP-W | I C | |
| IC0012 | MX23L1610TC1001 | I C | |
| IC0901 | TA48M025F-X | I. C. (M) | |
| IC0902 | TA48M033F-X | I. C. (M) | |
| IC0903 | MM1437AF-X | I. C. (MONO-ANA) | |
| OTHERS | | | |
| CN0001 | QGB1505K1-50 | CONNECTOR | |
| LC0001 | NQR0313-007X | EMI FILTER | |
| LC0002 | NQR0431-001X | EMI FILTER | |
| K0001 | NQR0360-002X | FERRITE BEADS | |
| K0002 | NQR0389-003X | FERRITE BEADS | |
| K0003 | NRSA63J-0R0X | MG R | 0.0Ω 1/16W J |
| K0004 | NQR0389-003X | FERRITE BEADS | |
| K0005 | NRSA63J-0R0X | MG R | 0.0Ω 1/16W J |
| X0001 | QAX0669-001Z | XTAL | |

■ AV SW P.W. BOARD ASS'Y (SMF0S002A-U2)

| △ Symbol No. | Part No. | Part Name | Description |
|-----------------|--------------|-----------|---------------|
| RESISTOR | | | |
| R0101-09 | NRSA63J-750X | MG R | 75Ω 1/16W J |
| R0110-11 | NRSA63J-103X | MG R | 10kΩ 1/16W J |
| R0112-13 | NRSA63J-823X | MG R | 82kΩ 1/16W J |
| R0114 | NRSA63J-333X | MG R | 33kΩ 1/16W J |
| R0115 | NRSA63J-473X | MG R | 47kΩ 1/16W J |
| R0116 | NRSA63J-823X | MG R | 82kΩ 1/16W J |
| R0117 | NRSA63J-223X | MG R | 22kΩ 1/16W J |
| R0118 | NRSA63J-473X | MG R | 47kΩ 1/16W J |
| R0119 | NRSA63J-153X | MG R | 15kΩ 1/16W J |
| R0120 | NRSA63J-273X | MG R | 27kΩ 1/16W J |
| R0121 | NRSA63J-222X | MG R | 2.2kΩ 1/16W J |
| R0122 | NRSA63J-473X | MG R | 47kΩ 1/16W J |
| R0123 | NRSA63J-823X | MG R | 82kΩ 1/16W J |
| R0124 | NRSA63J-153X | MG R | 15kΩ 1/16W J |
| R0125 | NRSA63J-223X | MG R | 22kΩ 1/16W J |
| R0126 | NRSA63J-473X | MG R | 47kΩ 1/16W J |
| R0127 | NRSA63J-273X | MG R | 27kΩ 1/16W J |
| R0128-29 | NRSA63J-823X | MG R | 82kΩ 1/16W J |
| R0130-31 | NRSA63J-391X | MG R | 390Ω 1/16W J |
| R0132 | NRSA63J-222X | MG R | 2.2kΩ 1/16W J |
| R0133 | NRSA63J-333X | MG R | 33kΩ 1/16W J |
| R0134 | NRSA63J-222X | MG R | 2.2kΩ 1/16W J |
| R0135 | NRSA63J-333X | MG R | 33kΩ 1/16W J |
| R0136 | NRSA63J-103X | MG R | 10kΩ 1/16W J |
| R0137 | NRSA63J-222X | MG R | 2.2kΩ 1/16W J |
| R0138-39 | NRSA63J-333X | MG R | 33kΩ 1/16W J |
| R0140 | NRSA63J-222X | MG R | 2.2kΩ 1/16W J |
| R0141 | NRSA63J-333X | MG R | 33kΩ 1/16W J |
| R0142 | NRSA63J-222X | MG R | 2.2kΩ 1/16W J |
| R0143-44 | NRSA63J-333X | MG R | 33kΩ 1/16W J |
| R0145 | NRSA63J-103X | MG R | 10kΩ 1/16W J |
| R0146 | NRSA63J-473X | MG R | 47kΩ 1/16W J |
| R0147 | NRSA63J-223X | MG R | 22kΩ 1/16W J |
| R0148-49 | NRSA63J-391X | MG R | 390Ω 1/16W J |
| R0150-51 | NRSA63J-104X | MG R | 100kΩ 1/16W J |
| R0152-67 | NRSA63J-101X | MG R | 100Ω 1/16W J |
| R0168 | NRSA63J-750X | MG R | 75Ω 1/16W J |
| R0169 | NRSA63J-222X | MG R | 2.2kΩ 1/16W J |
| R0170 | NRSA63J-333X | MG R | 33kΩ 1/16W J |
| R0171 | NRSA63J-750X | MG R | 75Ω 1/16W J |
| R0172 | NRSA63J-222X | MG R | 2.2kΩ 1/16W J |
| R0173 | NRSA63J-333X | MG R | 33kΩ 1/16W J |
| R0174 | NRSA63J-750X | MG R | 75Ω 1/16W J |
| R0175 | NRSA63J-333X | MG R | 33kΩ 1/16W J |
| R0176 | NRSA63J-103X | MG R | 10kΩ 1/16W J |
| R0177 | NRSA63J-823X | MG R | 82kΩ 1/16W J |
| R0178 | NRSA63J-153X | MG R | 15kΩ 1/16W J |
| R0179 | NRSA63J-473X | MG R | 47kΩ 1/16W J |
| R0180 | NRSA63J-273X | MG R | 27kΩ 1/16W J |
| R0181-82 | NRSA63J-562X | MG R | 5.6kΩ 1/16W J |
| R0183-84 | NRSA63J-102X | MG R | 1kΩ 1/16W J |
| R0185-90 | NRSA63J-101X | MG R | 100Ω 1/16W J |
| R0191 | NRSA63J-222X | MG R | 2.2kΩ 1/16W J |
| R0192 | NRSA63J-101X | MG R | 100Ω 1/16W J |
| R0194-95 | NRSA63J-221X | MG R | 220Ω 1/16W J |
| R0196 | QRG01GJ-101 | OM R | 100Ω 1W J |
| R0197 | QRK126J-181X | C R | 180Ω 1/2W J |
| R0198 | NRSA63J-750X | MG R | 75Ω 1/16W J |
| R0199 | NRSA63J-101X | MG R | 100Ω 1/16W J |
| R0200 | NRSA63J-750X | MG R | 75Ω 1/16W J |
| R0201 | QRK126J-151X | C R | 150Ω 1/2W J |
| R0203-05 | NRSA63J-750X | MG R | 75Ω 1/16W J |

CAPACITOR

| | | | |
|----------|--------------|--------|--------------|
| C0101-10 | NCB31HK-472X | C CAP. | 4700pF 50V K |
| C0111-12 | QETN1CM-477Z | E CAP. | 470μF 16V M |
| C0113-14 | NCB31HK-102X | C CAP. | 1000pF 50V K |
| C0115-17 | QETN1HM-106Z | E CAP. | 10μF 50V M |
| C0118-19 | QETN1HM-105Z | E CAP. | 1μF 50V M |
| C0120 | NCB31HK-103X | C CAP. | 0.01μF 50V K |
| C0121 | QETN1HM-105Z | E CAP. | 1μF 50V M |

| △ Symbol No. | Part No. | Part Name | Description |
|--------------|----------|-----------|-------------|
|--------------|----------|-----------|-------------|

CAPACITOR

| | | | |
|----------|--------------|-----------|--------------|
| C0122 | QETN1HM-106Z | E CAP. | 10μF 50V M |
| C0123 | QETN1HM-105Z | E CAP. | 1μF 50V M |
| C0124 | NCB31HK-103X | C CAP. | 0.01μF 50V K |
| C0125 | NCB31HK-102X | C CAP. | 1000pF 50V K |
| C0126-28 | QETN1HM-106Z | E CAP. | 10μF 50V M |
| C0129 | QETN1HM-105Z | E CAP. | 1μF 50V M |
| C0130 | NCB31HK-103X | C CAP. | 0.01μF 50V K |
| C0131 | QETN1HM-105Z | E CAP. | 1μF 50V M |
| C0132 | NCB31HK-103X | C CAP. | 0.01μF 50V K |
| C0133 | QETN1HM-106Z | E CAP. | 10μF 50V M |
| C0134 | QETN1HM-105Z | E CAP. | 1μF 50V M |
| C0135 | QETN1HM-106Z | E CAP. | 10μF 50V M |
| C0136 | QETN1HM-105Z | E CAP. | 1μF 50V M |
| C0137 | NCB31HK-103X | C CAP. | 0.01μF 50V K |
| C0138-39 | QENC1HM-105Z | BP E CAP. | 1μF 50V M |
| C0140 | QENC1EM-106Z | BP E CAP. | 10μF 25V M |
| C0141-47 | NCB31HK-103X | C CAP. | 0.01μF 50V K |
| C0148 | QETN1HM-106Z | E CAP. | 10μF 50V M |
| C0149 | QENC1EM-106Z | BP E CAP. | 10μF 25V M |
| C0150-51 | QETN1CM-107Z | E CAP. | 100μF 16V M |
| C0152 | QETN1CM-477Z | E CAP. | 470μF 16V M |
| C0153 | NCB31HK-103X | C CAP. | 0.01μF 50V K |
| C0154 | QETN1CM-107Z | E CAP. | 100μF 16V M |
| C0155 | NDC31HJ-150X | C CAP. | 15pF 50V J |

COIL

| | | |
|-------|--------------|-----------|
| L0101 | QQR0716-001Z | LEAD CORE |
|-------|--------------|-----------|

DIODE

| | | |
|----------|-------------|-------------|
| D0101-04 | MA3056/M/-X | ZENER DIODE |
| D0109-13 | MA3120/M/-X | ZENER DIODE |
| D0114 | MA3039/H/-X | ZENER DIODE |
| D0115-17 | MA3056/M/-X | ZENER DIODE |

TRANSISTOR

| | | |
|----------|-----------------|------------------|
| Q0101-02 | 2SC2412K/QR/-X | SI TRANSISTOR |
| Q0103-05 | DTC323TK-X | DIGI. TRANSISTOR |
| Q0106-09 | 2SC2412K/QR/-X | SI TRANSISTOR |
| Q0110 | 2SA1037AK/QR/-X | SI TRANSISTOR |
| Q0111 | DTC323TK-X | DIGI. TRANSISTOR |
| Q0112 | 2SA1037AK/QR/-X | SI TRANSISTOR |
| Q0113-15 | 2SC2412K/QR/-X | SI TRANSISTOR |
| Q0116 | 2SA933AS/QR/-T | SI TRANSISTOR |
| Q0117 | 2SC1740S/QR/-T | SI TRANSISTOR |

IC

| | | |
|--------|----------|-----|
| IC0101 | CXA2069Q | I C |
|--------|----------|-----|

OTHERS

| | | |
|----------|--------------|---------------|
| CN0001 | QGB1505K1-50 | CONNECTOR |
| J0001 | QNZ0465-001 | PIN CONNECTOR |
| J0002 | QNZ0463-001 | PIN CONNECTOR |
| K0101-04 | CE42681-001Y | BEADS CORE |

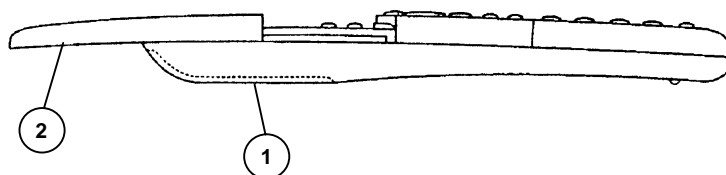
■ 100Hz P.W. BOARD ASS'Y (SMF0Z004A-U2)

| △ Symbol No. | Part No. | Part Name | Description |
|------------------|--------------|-----------|---------------|
| RESISTOR | | | |
| R0001-06 | NRSA63J-0ROX | MG R | 0.0Ω 1/16W J |
| R0008-09 | NRSA63J-0ROX | MG R | 0.0Ω 1/16W J |
| R0010-12 | NRSA63J-101X | MG R | 100Ω 1/16W J |
| R0101 | NRSA63J-332X | MG R | 3.3kΩ 1/16W J |
| R0102-03 | NRSA63J-222X | MG R | 2.2kΩ 1/16W J |
| R0104 | NRSA63J-332X | MG R | 3.3kΩ 1/16W J |
| R0105-06 | NRSA63J-222X | MG R | 2.2kΩ 1/16W J |
| R0107-13 | NRSA63J-750X | MG R | 75Ω 1/16W J |
| R0122-23 | NRSA63J-0ROX | MG R | 0.0Ω 1/16W J |
| R0124-25 | NRSA63J-101X | MG R | 100Ω 1/16W J |
| R0132-39 | NRSA63J-100X | MG R | 10Ω 1/16W J |
| R0141 | NRSA63J-100X | MG R | 10Ω 1/16W J |
| R0201 | NRSA63J-121X | MG R | 120Ω 1/16W J |
| R0202-03 | NRSA63J-101X | MG R | 100Ω 1/16W J |
| R0204-05 | NRSA63J-0ROX | MG R | 0.0Ω 1/16W J |
| R0214 | NRSA63J-0ROX | MG R | 0.0Ω 1/16W J |
| R0217 | NRSA63J-103X | MG R | 10kΩ 1/16W J |
| R0218 | NRSA63J-333X | MG R | 33kΩ 1/16W J |
| R0219 | NRSA63J-103X | MG R | 10kΩ 1/16W J |
| R0220 | NRSA63J-822X | MG R | 8.2kΩ 1/16W J |
| R0223 | NRSA63J-473X | MG R | 47kΩ 1/16W J |
| R0225 | NRSA63J-0ROX | MG R | 0.0Ω 1/16W J |
| R0251 | NRSA63J-222X | MG R | 2.2kΩ 1/16W J |
| R0252 | NRSA63J-750X | MG R | 75Ω 1/16W J |
| R0254 | NRSA63J-391X | MG R | 390Ω 1/16W J |
| R0255-56 | NRSA63J-221X | MG R | 220Ω 1/16W J |
| R0257 | NRSA63J-271X | MG R | 270Ω 1/16W J |
| R0258 | NRSA63J-272X | MG R | 2.7kΩ 1/16W J |
| R0259 | NRSA63J-472X | MG R | 4.7kΩ 1/16W J |
| R0261 | NRSA63J-222X | MG R | 2.2kΩ 1/16W J |
| R0264 | NRSA63J-391X | MG R | 390Ω 1/16W J |
| R0271 | NRSA63J-222X | MG R | 2.2kΩ 1/16W J |
| R0274 | NRSA63J-391X | MG R | 390Ω 1/16W J |
| R0301-03 | NRSA63J-104X | MG R | 100kΩ 1/16W J |
| R0304-05 | NRSA63J-101X | MG R | 100Ω 1/16W J |
| R0306-08 | NRSA63J-152X | MG R | 1.5kΩ 1/16W J |
| R0401 | NRSA63J-473X | MG R | 47kΩ 1/16W J |
| R0402 | NRSA63J-472X | MG R | 4.7kΩ 1/16W J |
| R0404 | NRSA63J-0ROX | MG R | 0.0Ω 1/16W J |
| R0407 | NRSA63J-0ROX | MG R | 0.0Ω 1/16W J |
| R0409 | NRSA63J-0ROX | MG R | 0.0Ω 1/16W J |
| CAPACITOR | | | |
| C0001 | NCB31CK-104X | CHIP CAP. | 0.1μF 16V K |
| C0002 | NEH71CM-476X | E CAP. | 47μF 16V M |
| C0003 | NCB31CK-104X | CHIP CAP. | 0.1μF 16V K |
| C0004 | NEH71CM-476X | E CAP. | 47μF 16V M |
| C0005 | NCB31CK-104X | CHIP CAP. | 0.1μF 16V K |
| C0006 | NEH71CM-476X | E CAP. | 47μF 16V M |
| C0007-09 | NDC31HJ-4ROX | C CAP. | 4.0pF 50V J |
| C0101 | NEH71CM-106X | E CAP. | 10μF 16V M |
| C0102 | NCB31EK-473X | CHIP CAP. | 0.047μF 25V K |
| C0103 | NEH71CM-476X | E CAP. | 47μF 16V M |
| C0104 | NCB31HK-152X | CHIP CAP. | 1500pF 50V K |
| C0105 | NDC31HJ-102X | C CAP. | 1000pF 50V J |
| C0106 | NCB31CK-104X | CHIP CAP. | 0.1μF 16V K |
| C0107 | NCF31CZ-224X | C CAP. | 0.22μF 16V Z |
| C0108 | NCB31HK-152X | CHIP CAP. | 1500pF 50V K |
| C0109 | NDC31HJ-391X | C CAP. | 390pF 50V J |
| C0110 | NEH71CM-106X | E CAP. | 10μF 16V M |
| C0111 | NCB31EK-473X | CHIP CAP. | 0.047μF 25V K |
| C0112 | NDC31HJ-331X | C CAP. | 330pF 50V J |
| C0113-18 | NCF31CZ-224X | C CAP. | 0.22μF 16V Z |
| C0119-24 | NDC31HJ-331X | C CAP. | 330pF 50V J |
| C0125-26 | NDC31HJ-3ROX | C CAP. | 3.0pF 50V J |
| C0128 | NCB31CK-104X | CHIP CAP. | 0.1μF 16V K |
| C0129 | NCF31CZ-224X | C CAP. | 0.22μF 16V Z |
| C0130 | NDC31HJ-391X | C CAP. | 390pF 50V J |
| C0131 | NCB31HK-152X | CHIP CAP. | 1500pF 50V K |
| C0132 | NCB31EK-473X | CHIP CAP. | 0.047μF 25V K |
| C0133 | NCB31HK-152X | CHIP CAP. | 1500pF 50V K |
| C0134 | NCB31CK-683X | CHIP CAP. | 0.068μF 16V K |

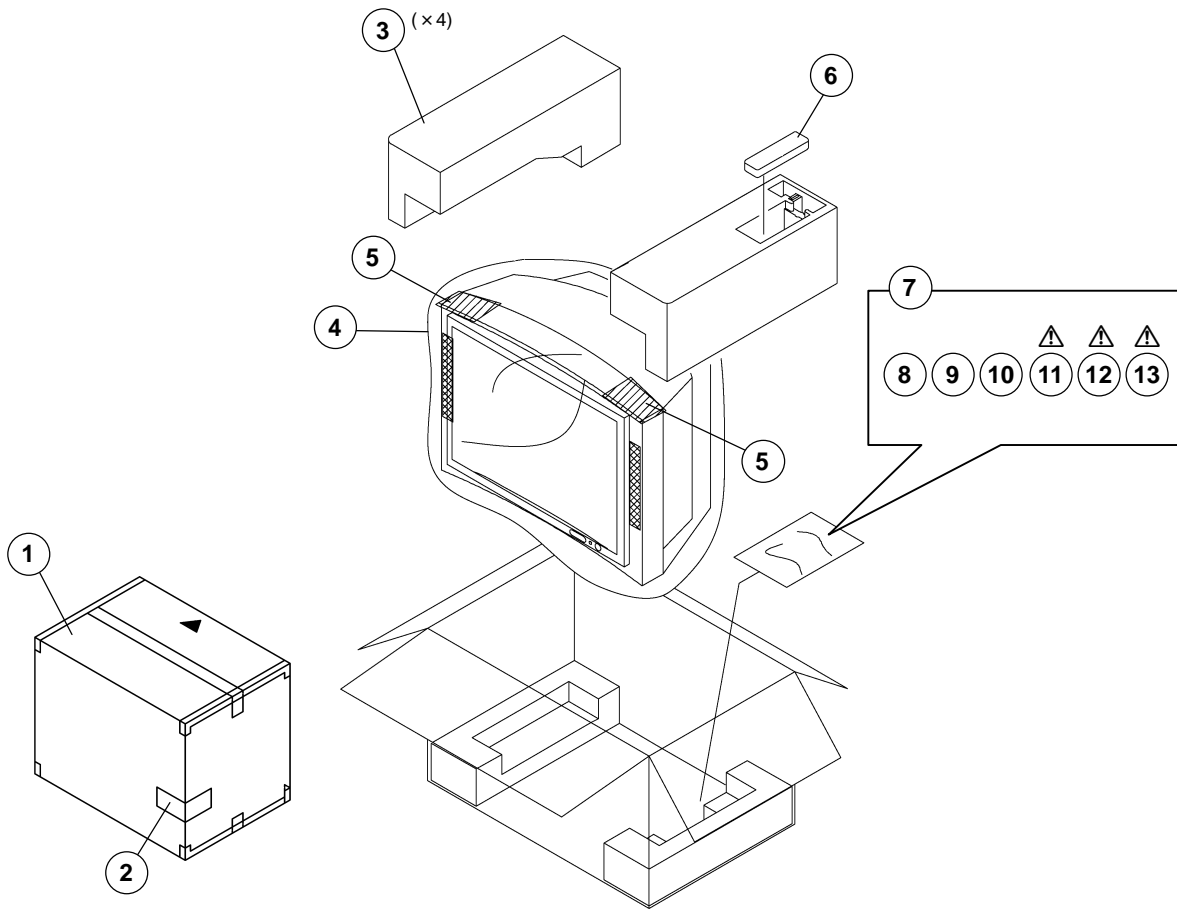
| △ Symbol No. | Part No. | Part Name | Description |
|-------------------|-----------------|---------------|---------------|
| CAPACITOR | | | |
| C0136-37 | NCB31CK-683X | CHIP CAP. | 0.068μF 16V K |
| C0138 | NCB31HK-152X | CHIP CAP. | 1500pF 50V K |
| C0139 | NCB31EK-473X | CHIP CAP. | 0.047μF 25V K |
| C0140 | NEH71CM-476X | E CAP. | 47μF 16V M |
| C0185-86 | NCB31CK-104X | CHIP CAP. | 0.1μF 16V K |
| C0201 | NEH71CM-476X | E CAP. | 47μF 16V M |
| C0202-05 | NCB31CK-104X | CHIP CAP. | 0.1μF 16V K |
| C0206 | NEH71CM-476X | E CAP. | 47μF 16V M |
| C0207-11 | NCB31CK-104X | CHIP CAP. | 0.1μF 16V K |
| C0212-13 | NDC31HJ-180X | C CAP. | 18pF 50V J |
| C0214-17 | NCB31CK-104X | CHIP CAP. | 0.1μF 16V K |
| C0218 | NDC31HJ-561X | C CAP. | 560pF 50V J |
| C0219 | NEH71CM-476X | E CAP. | 47μF 16V M |
| C0220-35 | NCB31CK-104X | CHIP CAP. | 0.1μF 16V K |
| C0237-38 | NEH71CM-106X | E CAP. | 10μF 16V M |
| C0239-42 | NCB31CK-104X | CHIP CAP. | 0.1μF 16V K |
| C0251 | NDC31HJ-4ROX | C CAP. | 4.0pF 50V J |
| C0252-53 | NCB31CK-104X | CHIP CAP. | 0.1μF 16V K |
| C0254 | NDC31HJ-120X | C CAP. | 12pF 50V J |
| C0255 | NDC31HJ-270X | C CAP. | 27pF 50V J |
| C0256 | NEH71CM-106X | E CAP. | 10μF 16V M |
| C0261 | NDC31HJ-4ROX | C CAP. | 4.0pF 50V J |
| C0262-63 | NCB31CK-104X | CHIP CAP. | 0.1μF 16V K |
| C0264 | NDC31HJ-120X | C CAP. | 12pF 50V J |
| C0265 | NDC31HJ-270X | C CAP. | 27pF 50V J |
| C0271 | NDC31HJ-4ROX | C CAP. | 4.0pF 50V J |
| C0272-73 | NCB31CK-104X | CHIP CAP. | 0.1μF 16V K |
| C0274 | NDC31HJ-120X | C CAP. | 12pF 50V J |
| C0275 | NDC31HJ-270X | C CAP. | 27pF 50V J |
| C0301 | NEH71CM-476X | E CAP. | 47μF 16V M |
| C0302-03 | NCB31CK-104X | CHIP CAP. | 0.1μF 16V K |
| C0402-03 | NCB31CK-104X | CHIP CAP. | 0.1μF 16V K |
| C0404 | NDC31HJ-330X | C CAP. | 33pF 50V J |
| COIL | | | |
| L0001-03 | NQL092K-1RSX | CHIP INDUCTOR | |
| L0101 | NQL034K-150X | CHIP INDUCTOR | |
| L0102-08 | NQL092K-3R3X | CHIP INDUCTOR | |
| L0109 | NQL034K-6R8X | CHIP INDUCTOR | |
| L0201-03 | NQL034K-100X | CHIP INDUCTOR | |
| L0204 | QQL244K-4R7Z | COIL | 4.7μH K |
| L0205-08 | NQL034K-100X | CHIP INDUCTOR | |
| L0209-10 | NQL092K-1RSX | CHIP INDUCTOR | |
| L0251 | NQL092K-5R6X | CHIP INDUCTOR | |
| L0261 | NQL092K-5R6X | CHIP INDUCTOR | |
| L0271 | NQL092K-5R6X | CHIP INDUCTOR | |
| DIODE | | | |
| D0401 | MA111-X | SI DIODE | |
| TRANSISTOR | | | |
| Q0101-02 | 2SA1037AK/QR/-X | SI TRANSISTOR | |
| Q0201 | 2SA1037AK/QR/-X | SI TRANSISTOR | |
| Q0251-52 | 2SA1037AK/QR/-X | SI TRANSISTOR | |
| Q0253 | 2SC2412K/QR/-X | SI TRANSISTOR | |
| Q0261 | 2SA1037AK/QR/-X | SI TRANSISTOR | |
| Q0271 | 2SA1037AK/QR/-X | SI TRANSISTOR | |
| Q0301-03 | 2SC2412K/QR/-X | SI TRANSISTOR | |
| IC | | | |
| IC0101 | VPC32300-QA-B3 | I C | |
| IC0201 | SAA4979H/V1 | I C | |
| IC0202 | OM4994H | I C | |
| IC0203 | SAA4955HL/V1 | I C | |
| IC0301 | TD49178T/N1-X | I C | |
| IC0401 | S-80828ANNP-W | I C | |
| IC0402 | TC7WH34FU-X | I C | |
| OTHERS | | | |
| CN0003 | QGB1505K1-50 | CONNECTOR | |
| LC0010-12 | NQR0313-009X | EMI FILTER | |
| LC0013 | NQR0313-004X | EMI FILTER | |
| LC0014-15 | NQR0313-007X | EMI FILTER | |
| X0101 | QAX0655-001Z | XTAL | |
| X0201 | QAX0273-001Z | CRYSTAL | |

REMOTE CONTROL UNIT PARTS LIST (RM-C54-1C)

| △ Ref.No. | Part No. | Part Name | Description |
|-----------|-----------|---------------|-------------|
| 1 | 2AA030733 | BATTERY COVER | |
| 2 | 2AA030732 | SLIDE COVER | |



PACKING



PACKING PARTS LIST

| △ Ref.No. | Part No. | Part Name | Description |
|---|----------------|---------------|--------------|
| AV32L2EUGR / AV32L2EUBL / AV32L2EUGY | | | |
| 1 | AEM1002-071-E | PACKING CASE | |
| 2 | AEM1052-019-E | EURO LABEL | [AV32L2EUGR] |
| 2 | AEM1052-061-E | EURO LABEL | [AV32L2EUBL] |
| 2 | AEM1052-072-E | EURO LABEL | [AV32L2EUGY] |
| 3 | LC10859-002A-U | CUSHION ASSY | 4pcs in 1set |
| 4 | AEM1047-002-E | POLY BAG | |
| 5 | AEM4091-001A-U | PROTECT SHEET | 2pcs in 1set |
| 6 | RM-C54-1C | REMOCON UNIT | |
| 7 | AEM3021-002-E | POLY BAG | |
| 8 | AEM1059-001A-E | X-RAY CARD | |
| 9 | BT-54013-1E | WARRANTY CARD | |
| 10 | 32L2EU-HSAE | S. DIAGRAM | (SERVICE) |
| △ 11 | LCT0889-001A-U | INST BOOK | |
| △ 12 | LCT0887-001A-U | INST BOOK | |
| △ 13 | LCT0888-001A-U | INST BOOK | |

Memo
